

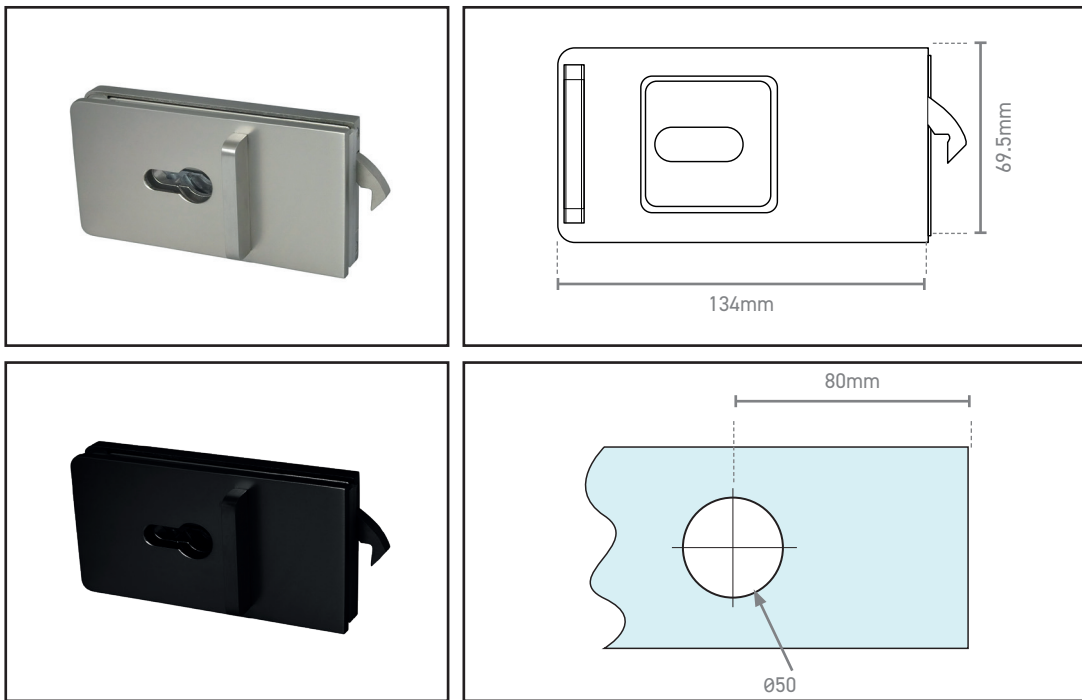
## GLASS SLIDING DOOR FITTINGS

Here at Welling we have introduced a Glass Door Lock for 10-12mm thick glass. Designed with glass cut-out diameter of 50mm to allow for easy replacement round handle while also being reversible for right to left hand and inside to outside. To complete the look there is also a matching strike box available in both Satin Stainless Steel and Black finishes, designed with a height and depth adjustment +/-3.5mm suitable for glass-to-glass, glass-to-wall/frame and glass-to-fixed glass

### SLIDING GLASS DOOR SLIM LOCK EURO PROFILE

Product Code	Finish	Handed	Glass Thickness
570.8811.01	Satin Stainless Steel	No - reversible	10-12mm
570.8811.39	Black		

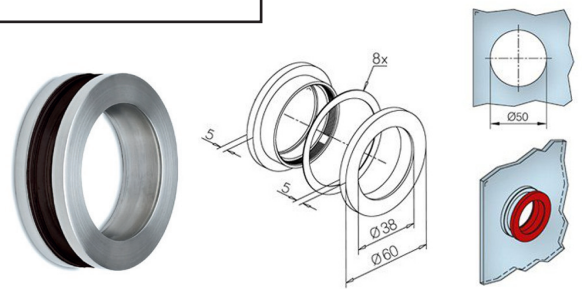
A high quality hook-type sliding door lock. Suitable for glass-to-glass, glass-to-wall/frame, glass-to-fixed glass Matching strike box available. Operated by euro cylinder, sold separately



### OPEN RECESSED GLASS SLIDING DOOR HANDLE

Product Code	Finish	Diameter	Hole Size	Glass Thickness
570.0104.01	SSS	60mm	50mm	8-12mm
570.0104.39	Black			

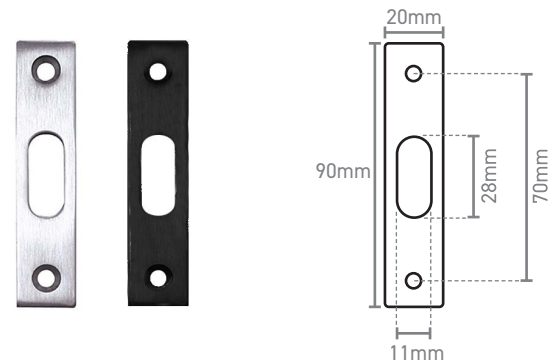
Sold as a 'pair' of handles, for 1 door leaf



### SLIDING GLASS DOOR FLAT STRIKE

Product Code	Finish	Glass Thickness
570.8815.01	Satin Stainless Steel	10-12mm
570.8815.39	Black	

A strike box/keep for the 570.8811.01/39 sliding door lock



For more information please contact

01451 824110 | sales@wellinguk.com | www.wellinguk.com

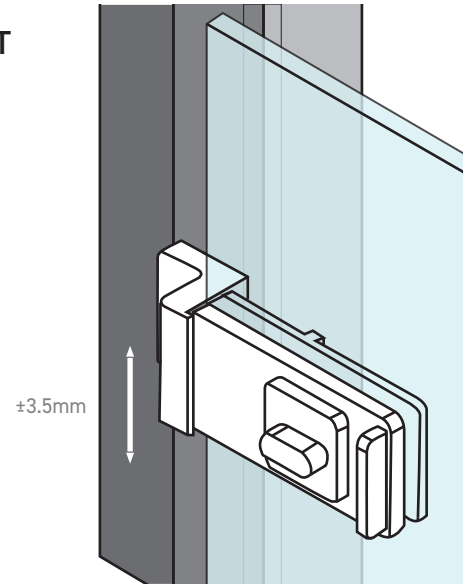
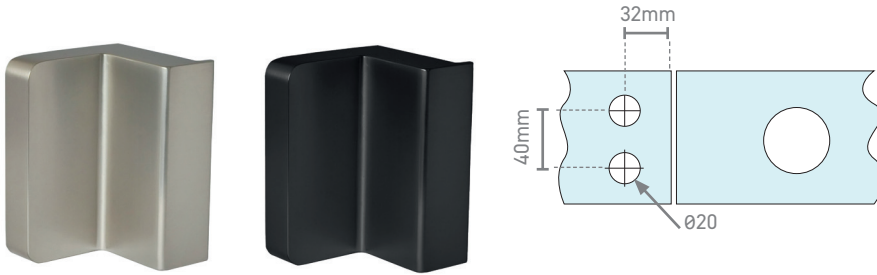
Welling Ironmongery Ltd, Unit R1, Bourton Industrial Park, Bourton on the Water GL54 2HQ

## GLASS SLIDING DOOR FITTINGS

### SLIDING GLASS DOOR LOCK STRIKE - GLASS TO WALL - OFFSET

Product Code	Finish	Type	Glass Thickness
570.8812.01	Satin Stainless Steel	Glass to Wall	10-12mm
570.8812.39	Black		

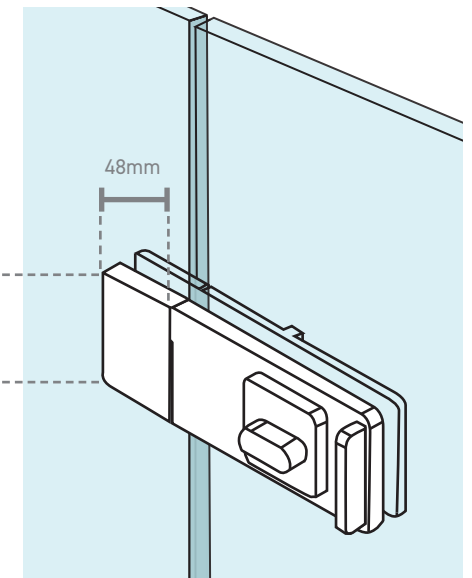
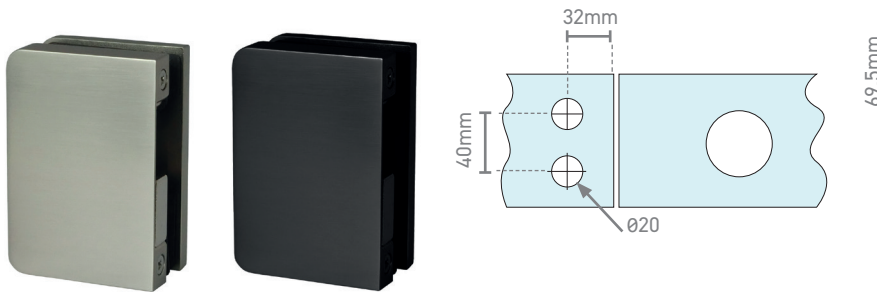
Solid wall mounted - Offset. Height a adjustment +/- 3.5mm.  
Interchangeable from left hand and right hand.



### SLIDING GLASS DOOR LOCK STRIKE BOX - GLASS TO GLASS

Product Code	Finish	Type	Glass Thickness
570.8813.01	Satin Stainless Steel	Glass to Glass	10-12mm
570.8813.39	Black		

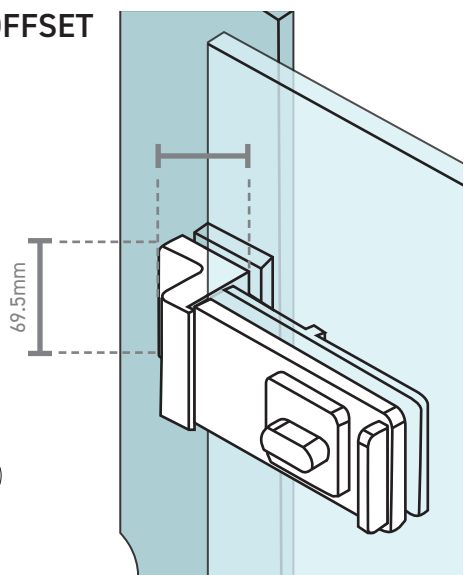
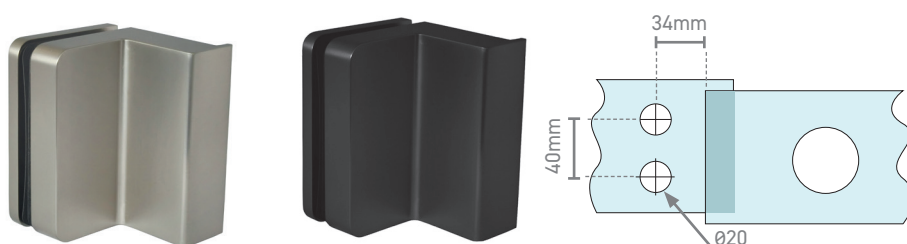
Glass to Glass, suitable for in-line applications for example double glass doors where the leading edges meet



### SLIDING GLASS DOOR LOCK STRIKE BOX - GLASS TO GLASS - OFFSET

Product Code	Finish	Type	Glass Thickness
570.8814.01	Satin Stainless Steel	Glass to Glass	10-12mm
570.8814.39	Black		

Glass to Glass, suitable for glass side panel mounting



For more information please contact

01451 824110 | sales@wellinguk.com | www.wellinguk.com

Welling Ironmongery Ltd, Unit R1, Bourton Industrial Park, Bourton on the Water GL54 2HQ