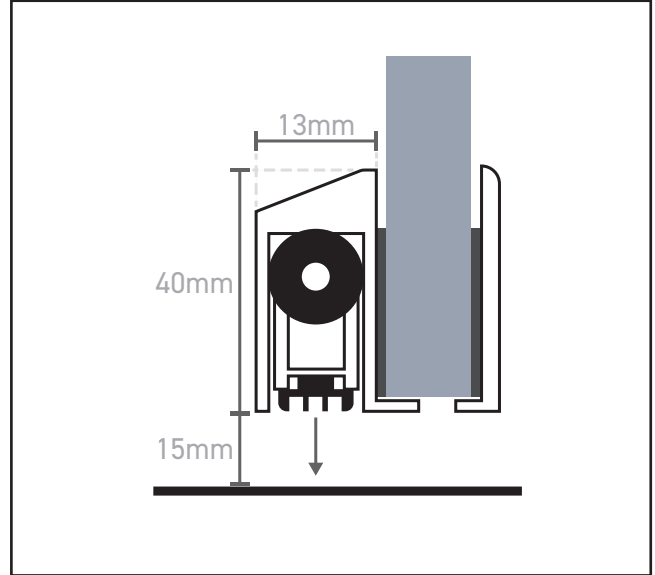


400 SERIES GLASS DOOR DROP DOWN SEAL



Product Specification

Suitable 10-12mm Glass

Non-Handed

Includes end caps and strike plates

Product Code	Finish	Overall Length	Cut Down Length	Max Cut Down	Decibel Rating	Sold as
710.4083.11	S/A Silver	830mm	710mm	120mm	36db	Each
710.4083.39	S/A Matt Black					
710.4093.11	S/A Silver	930mm	810mm	120mm	36db	Each
710.4093.39	S/A Matt Black					
710.4103.11	S/A Silver	1030mm	910mm	120mm	36db	Each
710.4103.39	S/A Matt Black					

Drop down seal and cover plate comes with self adhesive backing
Non-Handed

For more information please contact

01451 824110 | sales@wellinguk.com | www.wellinguk.com

Welling Ironmongery Ltd, Unit R1, Bourton Industrial Park, Bourton on the Water GL54 2HQ