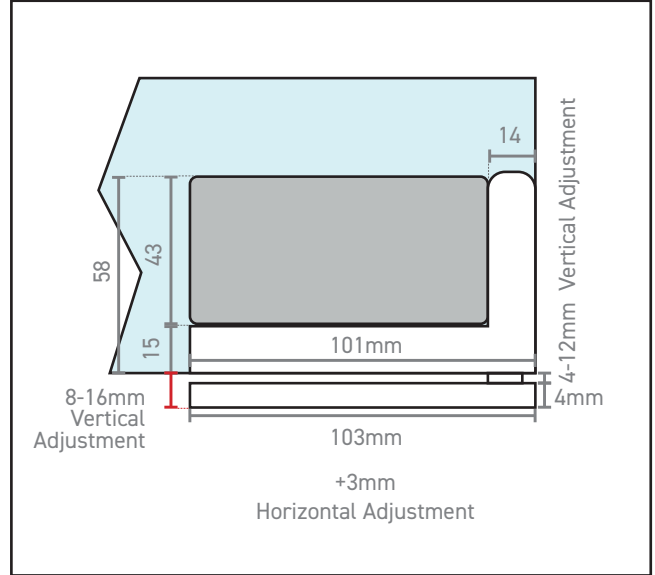


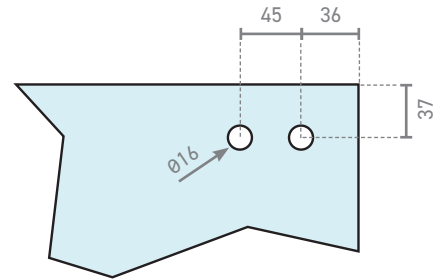
570.4100.01

Offset Corner Pivot Hinge Set



Product Specification

High quality satin stainless steel finish pivot set
Reversible left/right
Suitable for glass doors in aluminium or timber frames



Specification

Finish	Satin Stainless Steel
Handed	No
Glass Thickness	8-12mm
Max Door Width	1000mm
Max Door Weight	60kg

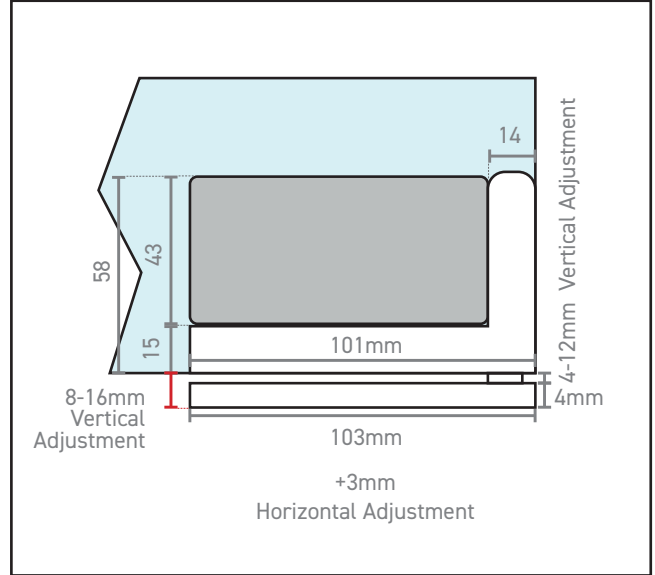
For more information please contact

01451 824110 | sales@wellinguk.com | www.wellinguk.com

Welling Ironmongery Ltd, Unit R1, Bourton Industrial Park, Bourton on the Water GL54 2HQ

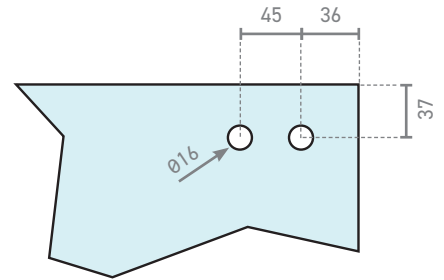
570.1900.39

Offset Corner Pivot Hinge Set



Product Specification

High quality satin stainless steel finish pivot set
Reversible left/right
Suitable for glass doors in aluminium or timber frames



Specification

Finish	Black
Handed	No
Glass Thickness	8-12mm
Max Door Width	1000mm
Max Door Weight	60kg

For more information please contact

01451 824110 | sales@wellinguk.com | www.wellinguk.com

Welling Ironmongery Ltd, Unit R1, Bourton Industrial Park, Bourton on the Water GL54 2HQ