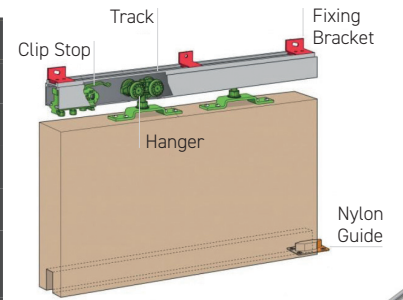


HUSKY SLIDING DOOR KITS

Product Code	Product	Max Door Width	Max Door Weight	Max Door Height
810.1000.11	H50/18	950mm	50kg	2700mm
810.1001.11	H50/24	1250mm		
810.1002.11	H100/18	950mm	100kg	
810.1100.11	H100/24	1250mm		

A simple, heavy duty single door sliding kit for internal use
Includes all required hangers, rollers, track, guide and fixings

KEY FEATURES
Timber Sliding Door Door Thickness 20-50mm Silver Finish



HUSKY 50

MAXIMUM DOOR WEIGHT 50kg

APPLICATIONS

- ▶ Ideally suited for room dividers and wardrobe doors.
- ▶ Designed with galvanised steel and aluminium track, with nylon rollers to ensure a smooth, quiet operation.
- ▶ Reliable and highly versatile sliding door hardware, using precision made components for a trouble free operation.
- ▶ Suitable for both timber and metal framed doors.
- ▶ The opening can be covered by one or a number of doors sliding to either side. Where the door travels more than its own width, a continuous bottom guide channel must be used with two guides per door.
- ▶ Flexible fixing options. The track may be fixed direct to the underside of the lintel (single or multiple runs) or face fixed with brackets.

DOOR SPECIFICATION

Max leaf weight	50Kg
Door thickness	20 - 50mm
Door material	Suitable for use with timber framed doors of flush, panelled or glazed construction.

Metal doors should be lightly constructed of channel or angle framing, clad with sheeting as required.

GEAR SPECIFICATION

Kits

Husky 50 kits contain:

- Track- Steel (280) or mill finish aluminium (280A)
- Face fixing brackets - Steel (281) or mill finish aluminium (281A)
- End and jointing bracket for aluminium kits - mill finish aluminium (281AX)
- 2 nylon bodied, acetal wheel hangers (284N)
- Nylon guide (102N)
- Clip stop (601H)
- Track stop (287)
- Fitting instructions.

Maximum leaf size	Weight	Kit number	
		Steel track	Aluminium track
2700 x 800 x 50mm	50kg	H50/15	H50/15A
2700 x 950 x 50mm	50kg	H50/18	H50/18A
2700 x 1050 x 50mm	50kg	H50/20	H50/20A
2700 x 1250 x 50mm	50kg	H50/24	H50/24A

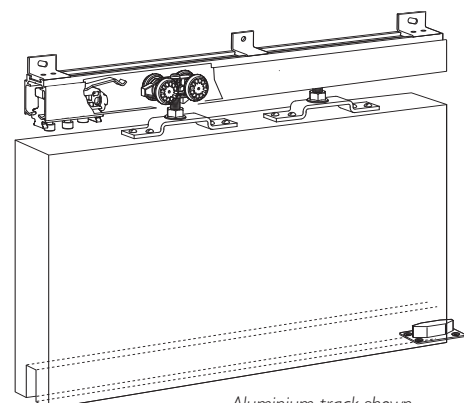
Refer to price list for part numbers

Optional Extras

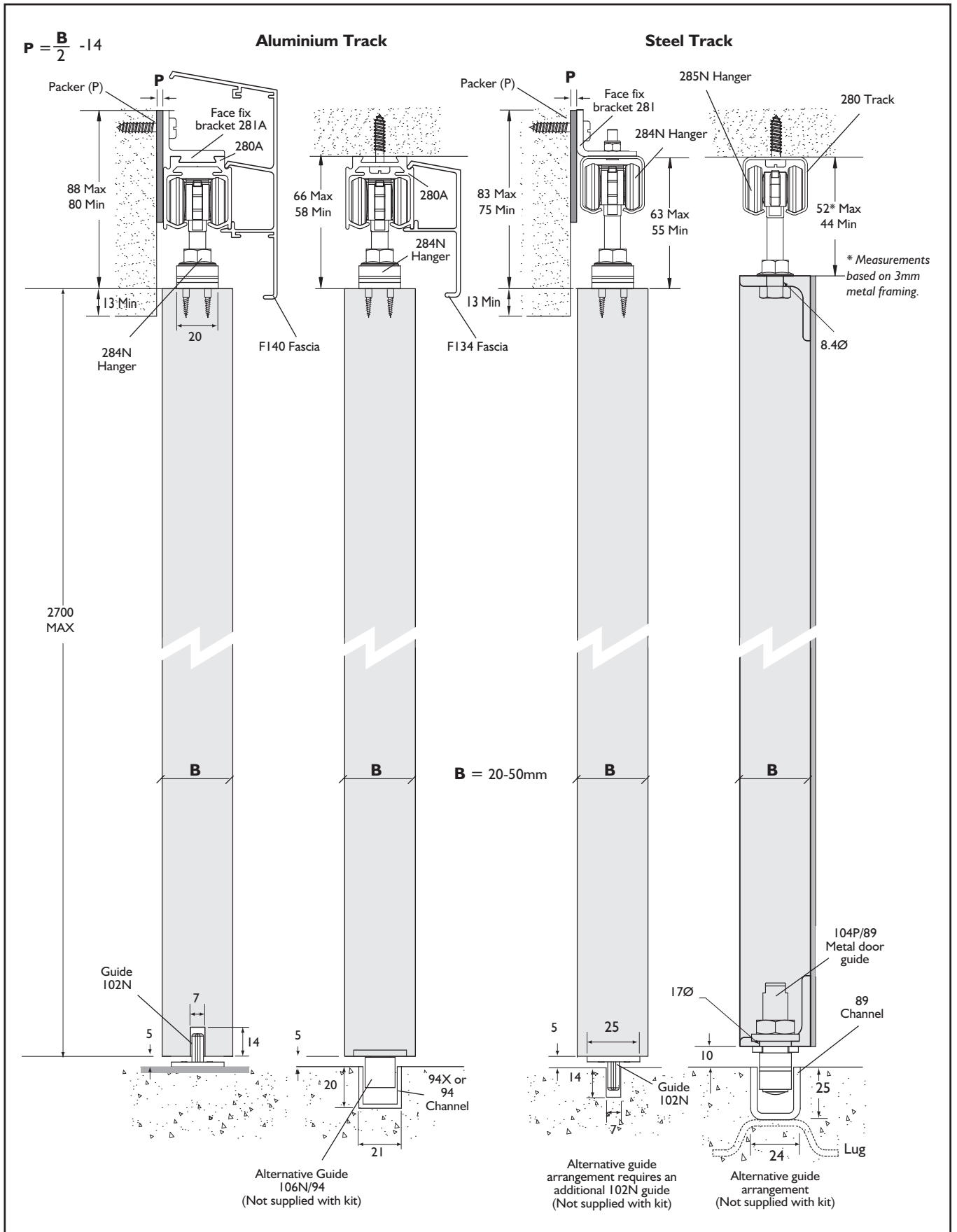
Anodised aluminium track	280AN - Standard lengths
Aluminium face fix bracket packs	2815A (5 brackets)
	2818A (8 brackets)
Steel bracket packs	2815 (5 brackets)
	2818 (8 brackets)
Hanger for metal doors	285N
Roller guide	106N/94
Aluminium floor channel	94X
Aluminium self finish flush pull 133x60mm	414
Satin anodised SA flush pull 100x48mm	400
Stainless steel SS flush pull 100x48mm	400SS
Polished stainless steel flush pull 100x48mm	400PSS
Satin anodised flush pull	333
Mortice sliding door lock	395
Fascia for aluminium track for doors up to 50mm	F134 (soffit fix)
	F140 (face fix)
Fascia for aluminium track for doors up to 25mm	F138 (soffit fix)
Simultaneous Action Kit*	SIM100

*To be used in conjunction with two kits

FOR SLIDING TIMBER & METAL DOORS



Aluminium track shown



(All dimensions in mm)

HUSKY 100

MAXIMUM DOOR WEIGHT 100kg

APPLICATIONS

- ▶ Ideally suited for room dividers and wardrobe doors.
- ▶ Designed with galvanised steel and aluminium track, with nylon rollers to ensure a smooth, quiet operation.
- ▶ Reliable and highly versatile sliding door hardware, using precision made components for a trouble free operation.
- ▶ Suitable for both timber and metal framed doors.
- ▶ The opening can be covered by one or a number of doors sliding to either side. Where the door travels more than its own width, a continuous bottom guide channel must be used with two guides per door.
- ▶ Flexible fixing options. The track may be fixed direct to the underside of the lintel (single or multiple runs) or face fixed with brackets.

DOOR SPECIFICATION

Max leaf weight	100Kg
Door thickness	20 - 50mm
Door material	Suitable for use with timber framed doors of flush, panelled or glazed construction.

Metal doors should be lightly constructed of channel or angle framing, clad with sheeting as required.

GEAR SPECIFICATION

Kits	Husky 100 kits contain:
	Track- Steel (280) or mill finish aluminium (280A)
	Face fixing brackets - Steel (281) or mill finish aluminium (281A)
	End and jointing bracket for aluminium kits - mill finish aluminium (281AX)
	2 nylon bodied, needle roller bearings 4-wheel hangers (284)
	Nylon guide (102N)
	Clip stop (601H)
	Track stop (287)
	Fitting instructions

Maximum leaf size	Weight	Kit number	
		Steel track	Aluminium track
2700 x 800 x 50mm	100kg	H100/15	H100/15A
2700 x 950 x 50mm	100kg	H100/18	H100/18A
2700 x 1050 x 50mm	100kg	H100/20	H100/20A
2700 x 1250 x 50mm	100kg	H100/24	H100/24A

Refer to price list for part numbers

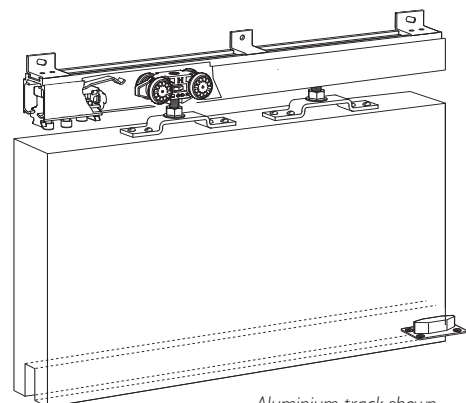
Optional Extras		
Anodised aluminium track	280AN - Standard lengths	
Aluminium face fix bracket packs	2815A (5 brackets)	
	2818A (8 brackets)	
Steel bracket packs	2815 (5 brackets)	
	2818 (8 brackets)	
Hanger for metal doors	285	
Roller guide	106N/94	
Aluminium floor channel	94X	
Satin anodised SA flush pull 100x48mm	400	
Stainless steel SS flush pull 100x48mm	400SS	
Polished stainless steel flush pull 100x48mm	400PSS	
Satin anodised flush pull	333	
Mortice sliding door lock	395	
Fascia for aluminium track for doors up to 50mm	F134 (soffit fix)	
	F140 (face fix)	
Fascia for aluminium track for doors up to 25mm	F138 (soffit fix)	
Simultaneous Action Kit*	SIM100	

*To be used in conjunction with two kits

FOR SLIDING TIMBER & METAL DOORS

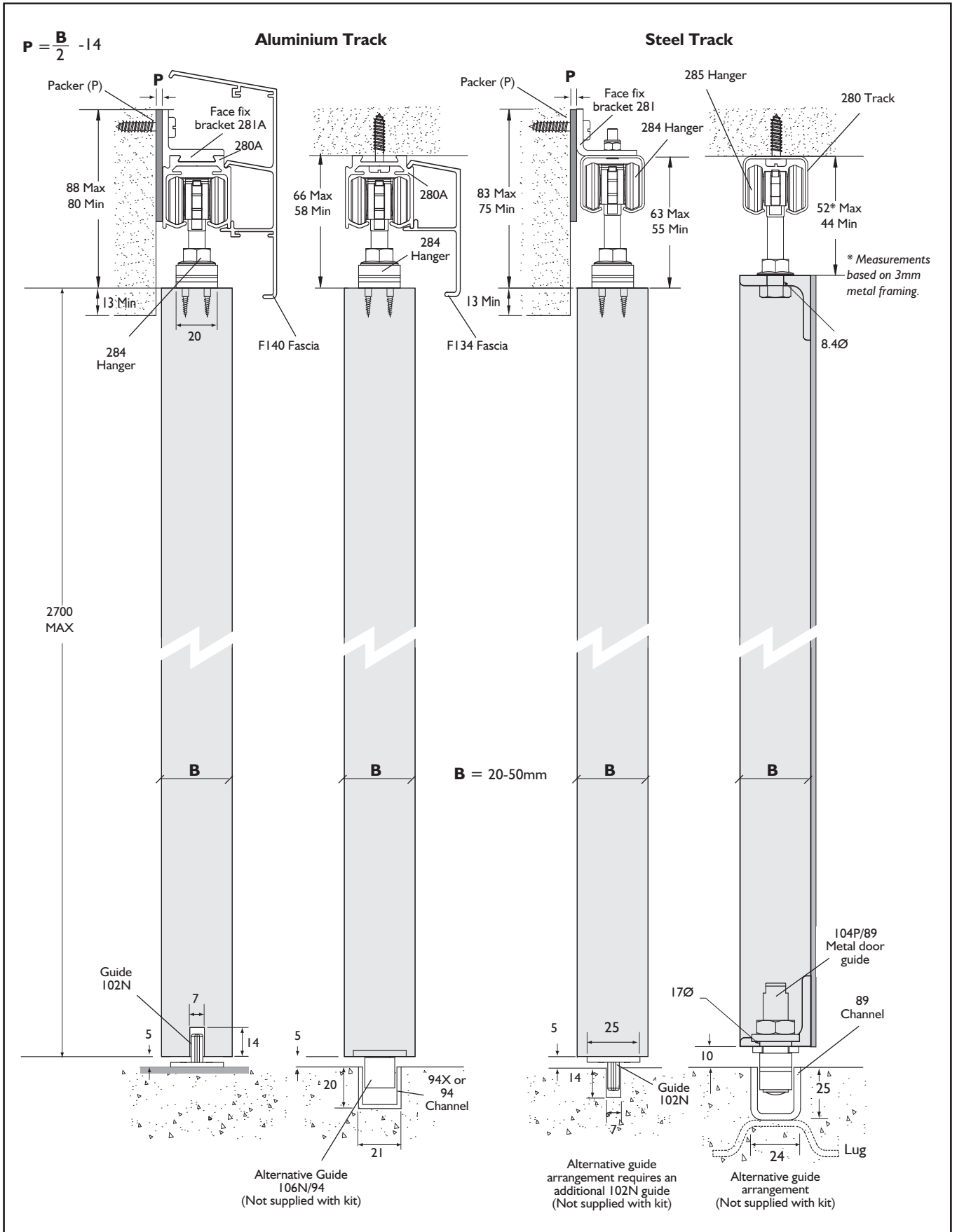


Two kits required



Aluminium track shown

HUSKY 100



(All dimensions in mm)

HENDERSON

P C Henderson Limited, Durham Road, Bowburn, County Durham DH6 5NG, UK. Web: www.pchenderson.com
 UK Customer Services Department: Tel: +44 (0)191 377 7345 Fax: +44 (0)191 377 3116 Email: sales@pchenderson.com
 Export Department: Tel: +44 (0)191 377 7346 Fax: +44 (0)191 377 0755. Email: international@pchenderson.com
 For all technical queries email our Technical Department: technical@pchenderson.com