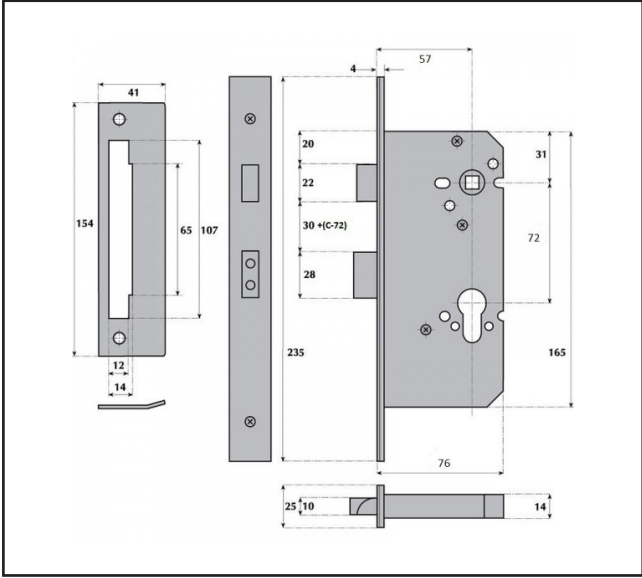


640.7200.01

Guardian DIN Lock Euro Profile Sashlock



Making Ironmongery Easy



Product Specification

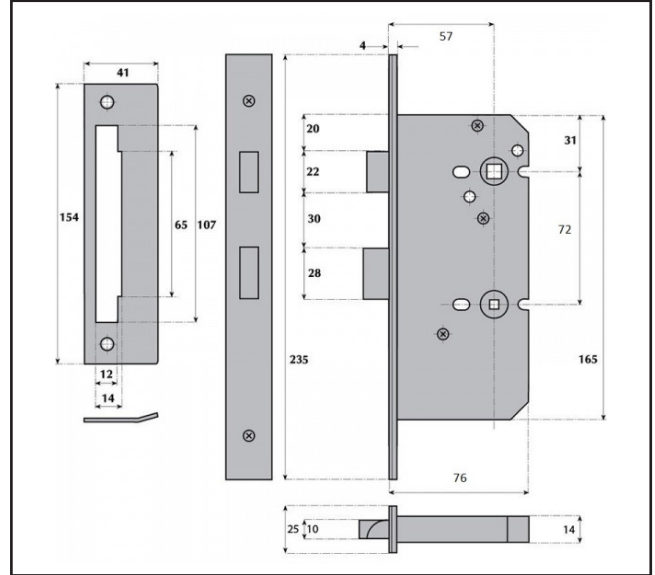
Heavy sprung, suitable for unsprung door handles
Square forend and strike plate included

Specification

Finish	Satin Stainless Steel
Case Depth	76mm
Backset	57mm
Lock Centres	72mm
Forend & Strike Style	Square
Heavy Sprung	Yes

640.8021.01

Guardian DIN Lock Bathroom Sashlock



Product Specification

- Heavy sprung, suitable for unsprung door handles
- Square forend and strike plate included
- 5mm follower, suitable for bathroom turns with 5mm spindles

Specification

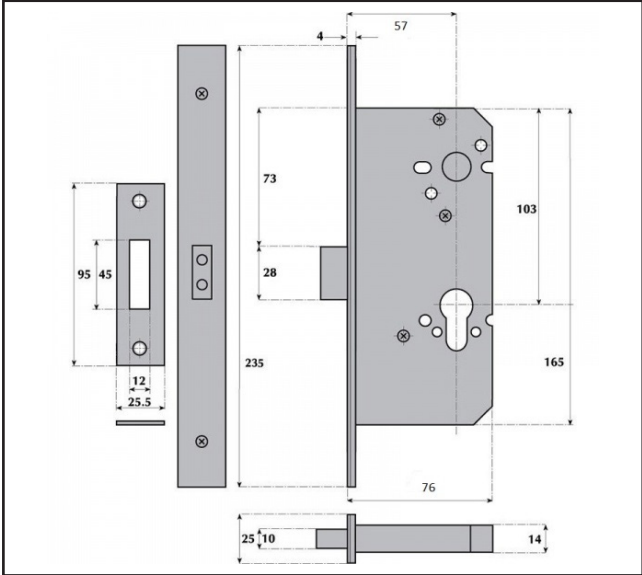
Finish	Satin Stainless Steel
Case Depth	76mm
Backset	57mm
Lock Centres	72mm
Forend & Strike Style	Square
Follower Size (For Spindle)	5mm
Heavy Sprung	Yes

640.7204.01

Guardian DIN Lock Euro Profile Deadlock



Making Ironmongery Easy



Product Specification

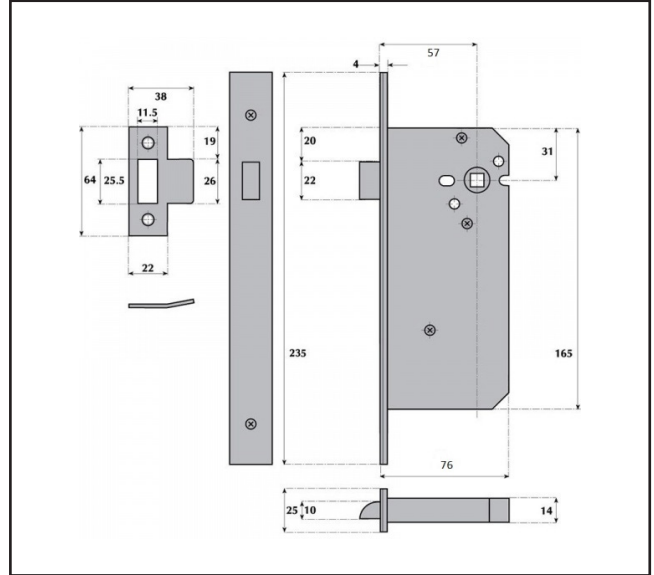
Square forend and strike plate included

Specification

Finish	Satin Stainless Steel
Case Depth	76mm
Backset	57mm
Forend & Strike Style	Square
Heavy Sprung	Yes

640.4753.01

Guardian DIN Lock Mortise Latch Case



Product Specification

Heavy sprung, suitable for unsprung door handles
Square forend and strike plate included

Specification

Finish	Satin Stainless Steel
Case Depth	76mm
Backset	57mm
Forend & Strike Style	Square
Heavy Sprung	Yes

For more information please contact

01451 824110 | sales@wellinguk.com | www.wellinguk.com

Welling Ironmongery Ltd, Unit R1, Bourton Industrial Park, Bourton on the Water GL54 2HQ