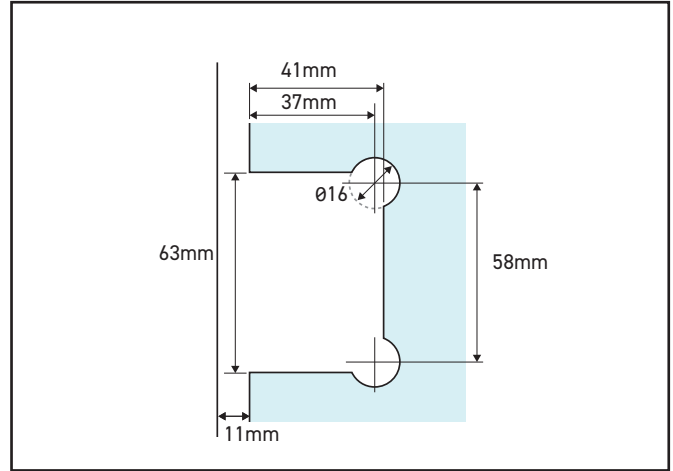


# 570.0400.04

Glass/Wall Offset Plate Shower Hinge



## Specification

Finish	Polished Chrome
Glass Thickness	8-10mm
Type	Glass to Wall
Max Door Weight	37kg - 2 Hinges   45kg - 3 Hinges
Max Door Width	900mm

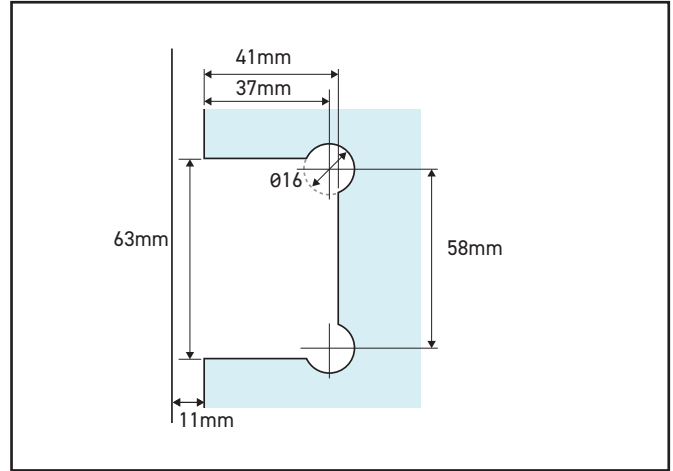
For more information please contact

01451 824110 | [sales@wellinguk.com](mailto:sales@wellinguk.com) | [www.wellinguk.com](http://www.wellinguk.com)

Welling Ironmongery Ltd, Unit R1, Bourton Industrial Park, Bourton on the Water GL54 2HQ

# 570.0400.05

Glass/Wall Offset Plate Shower Hinge



## Specification

Finish	Satin Chrome
Glass Thickness	8-10mm
Type	Glass to Wall
Max Door Weight	37kg - 2 Hinges   45kg - 3 Hinges
Max Door Width	900mm

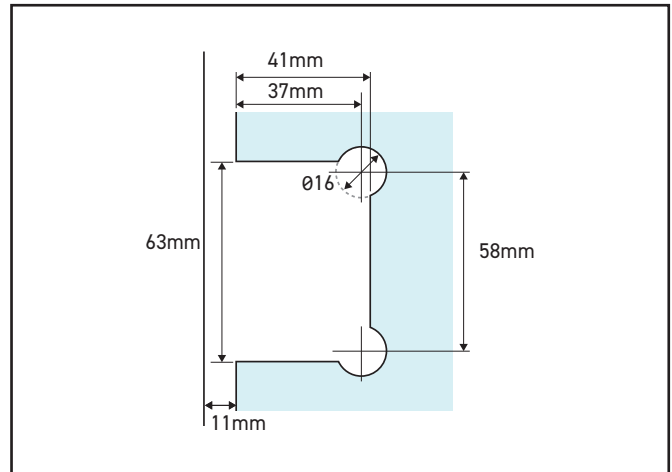
For more information please contact

01451 824110 | sales@wellinguk.com | www.wellinguk.com

Welling Ironmongery Ltd, Unit R1, Bourton Industrial Park, Bourton on the Water GL54 2HQ

# 570.0400.39

Glass/Wall Offset Plate Shower Hinge



## Specification

Finish	Black
Glass Thickness	8-10mm
Type	Glass to Wall
Max Door Weight	37kg - 2 Hinges   45kg - 3 Hinges
Max Door Width	900mm

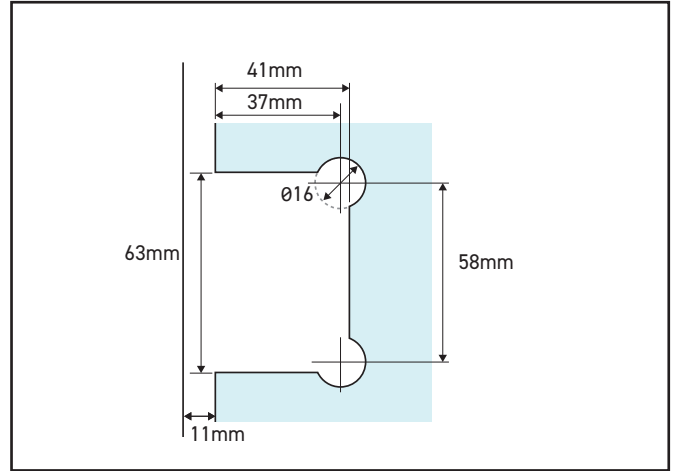
For more information please contact

01451 824110 | sales@wellinguk.com | www.wellinguk.com

Welling Ironmongery Ltd, Unit R1, Bourton Industrial Park, Bourton on the Water GL54 2HQ

# 570.0400.76

Glass/Wall Offset Plate Shower Hinge



## Specification

Finish	Satin Brass
Glass Thickness	8-10mm
Type	Glass to Wall
Max Door Weight	37kg - 2 Hinges   45kg - 3 Hinges
Max Door Width	900mm

For more information please contact

01451 824110 | sales@wellinguk.com | www.wellinguk.com

Welling Ironmongery Ltd, Unit R1, Bourton Industrial Park, Bourton on the Water GL54 2HQ