

5079 EN2-4 DOOR CLOSER

Product Code	Finish	Cover	Power	Backcheck	Max Door Weight	Max Door Width	Fire Rated
500.5079.03	Polished Brass	Yes	Variable power EN2-4	Yes	80kg	1100mm	FD60
500.5079.04	Polished Chrome						
500.5079.06	Satin Stainless Effect						
500.5079.11	Silver						
500.5079.14	Antique Brass						
ZZ500.5079.26	Matt Bronze						
500.5079.39	Black						
500.5079.76	Satin Brass						

KEY FEATURES
Yes - 20 second 'delay action'
Adjustable Backcheck
Cycle Tested 500,000
Fire Tested EN 1634
Performance Test EN 1154
3 8 $\frac{2}{4}$ 1 1 2
48 Hour salt spray test
248mm x 40mm
10 year mechanical guarantee
Certifire Approved - CF10139

Latching and closing speed control. FD60 on Timber Doors. Standard and parallel arm configuration



Polished Brass



Polished Chrome



Stainless Steel Effect



Matt Bronze



Silver



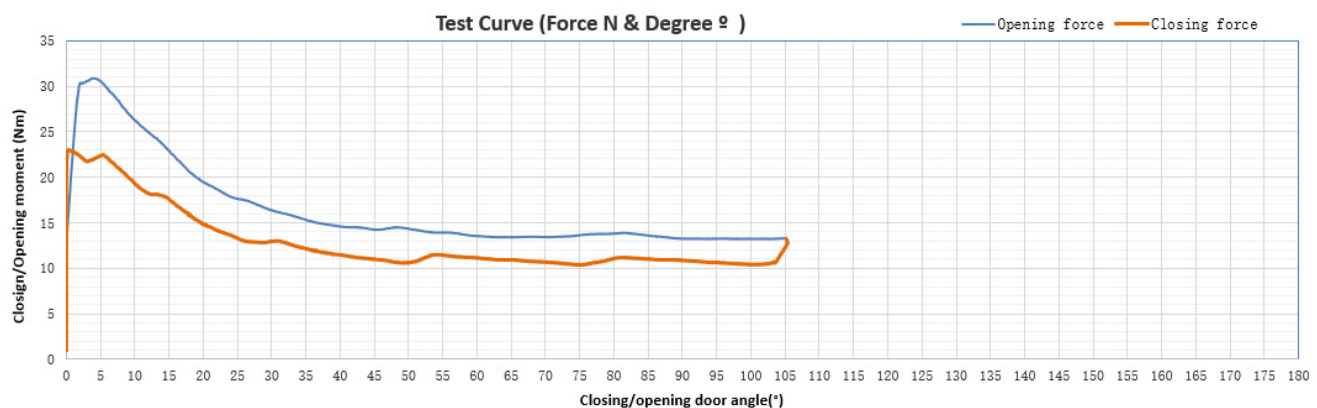
Antique Brass

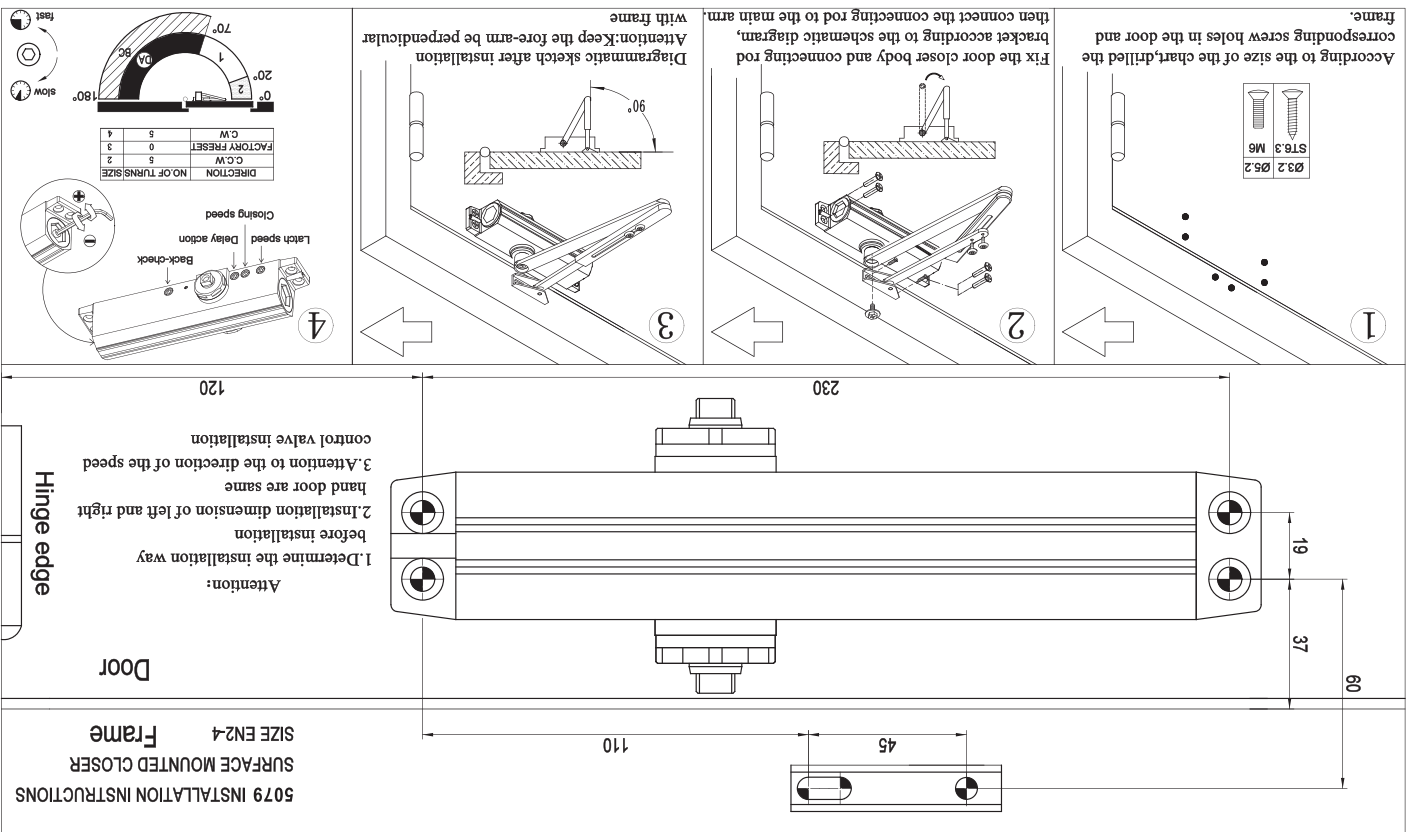


Black



Satin Brass





5079 INSTALLATION INSTRUCTIONS
SURFACE MOUNTED CLOSER
SIZE EN2-4
Frame

DIRECTION	NO.OF TURNS	SIZE
C.W	5	2
C.W	0	3
C.W	5	4

Door Closer Power Size	Recommended Door Leaf Width Max mm	Test Door Mass (Kg)
2	850mm	40 Kg
3	950mm	60 Kg (Minimum for a Fire Door)
4	1100mm	80 Kg

EN1154	Test Door Mass (Kg)	40 Kg
EN1154	Recommended Door Leaf Width Max mm	850mm
EN1154	Test Door Mass (Kg)	60 Kg (Minimum for a Fire Door)
EN1154	Test Door Mass (Kg)	80 Kg

CE	2812	Welling Architectural Ironmongery Limited	Unit 11, Broomfield Road, Bourn on the Water, Bourn, Cambridgeshire CB3 9UJ, United Kingdom
CERTIFIRE CF10139	2812-CPR-AD10179	1334 1396612 0007 2006	1334 1396612 0007 2006
Dangerous Substances: None			



CE	2812	Welling Architectural Ironmongery Limited	Unit 11, Broomfield Road, Bourn on the Water, Bourn, Cambridgeshire CB3 9UJ, United Kingdom
2812-CPR-AD10179	1334 1396612 0007 2006	1334 1396612 0007 2006	1334 1396612 0007 2006
Dangerous Substances: None			

Door Closer Power Size	Recommended Door Leaf Width Max mm	Test Door Mass (Kg)
2	850mm	40 Kg
3	950mm	60 Kg (Minimum for a Fire Door)
4	1100mm	80 Kg

