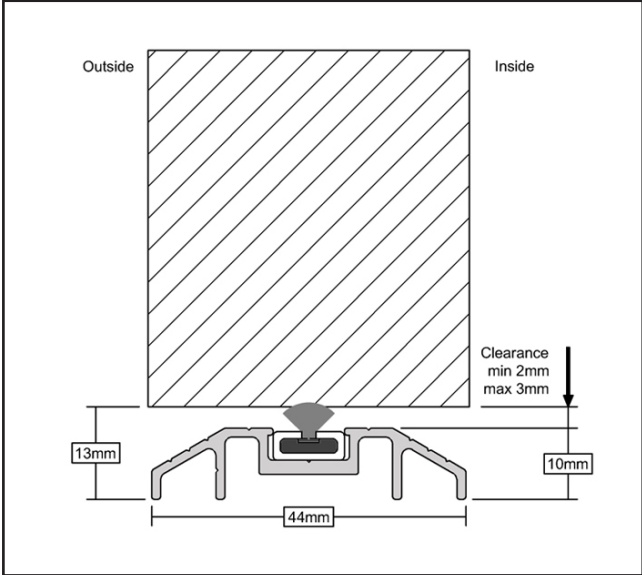


# 700.8021.11

Stormguard FD30 Fire & Smoke Threshold - 1000mm Aluminium



Making Ironmongery Easy



### Product Specification

- Suitable for internal inward and outward opening doors
- Hard wearing draught excluder and sound barrier
- Pre-drilled fixing holes
- Ideal for use in apartments, schools, hotels and public buildings where smoke seals, draught excluders and sound proofing is required

### Specification

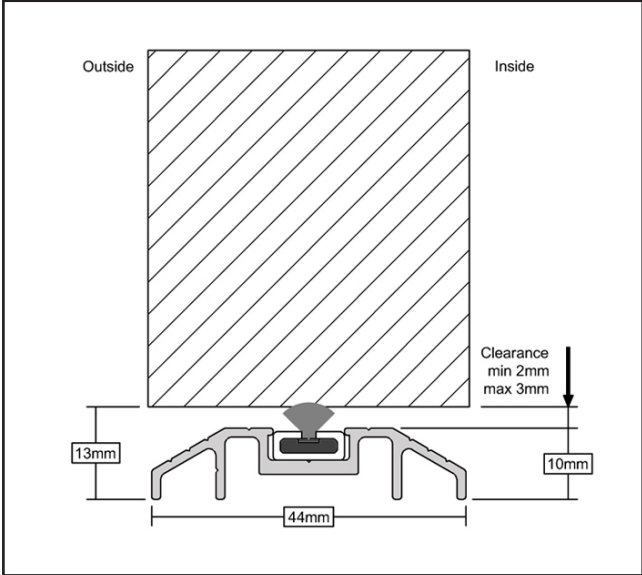
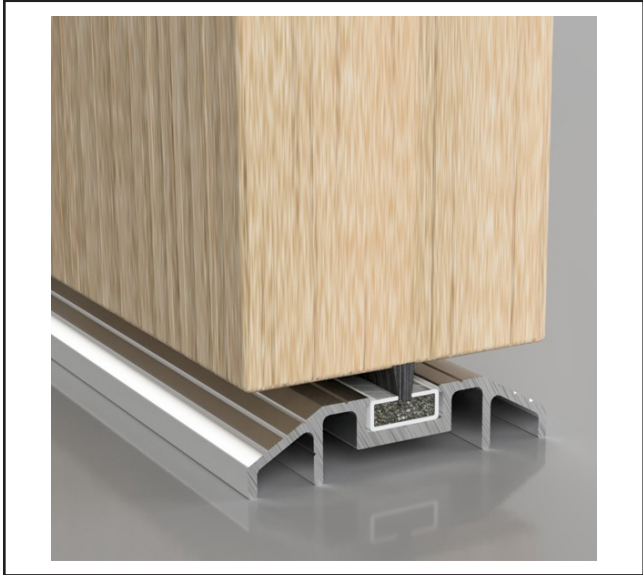
Finish	Aluminium
Length	1000mm
Fire Rated	FD30
Seal Gaps	12-13mm

# 700.8022.11

Stormguard FD30 Fire & Smoke Threshold - 2000mm Aluminium



Making Ironmongery Easy



## Product Specification

Suitable for internal inward and outward opening doors  
Hard wearing draught excluder and sound barrier  
Pre-drilled fixing holes  
Ideal for use in apartments, schools, hotels and public buildings where smoke seals, draught excluders and sound proofing is required

## Specification

Finish	Aluminium
Length	2000mm
Fire Rated	FD30
Seal Gaps	12-13mm