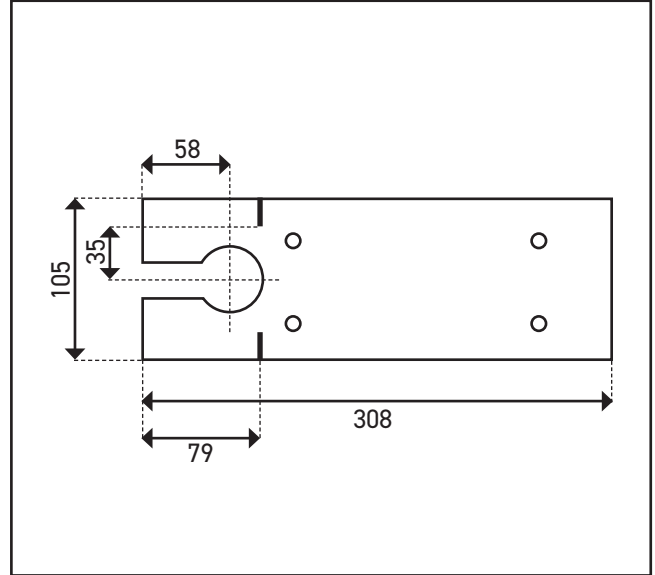
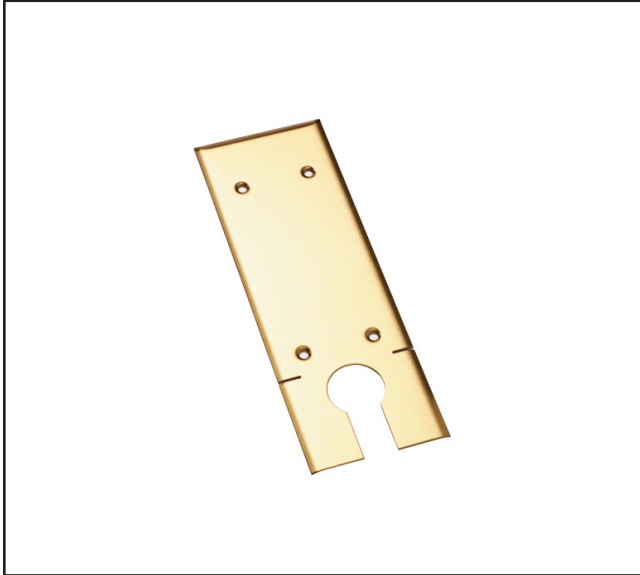


530.3075.76

BTS75 Cover Plate



Product Specification

Suitable for the BTS75 floorspring range

Fixings included

Specification

Finish	Satin Brass
Dimensions	308 x 105mm
Fixings Included	Yes

For more information please contact

01451 824110 | sales@wellinguk.com | www.wellinguk.com

Welling Ironmongery Ltd, Unit R1, Bourton Industrial Park, Bourton on the Water GL54 2HQ