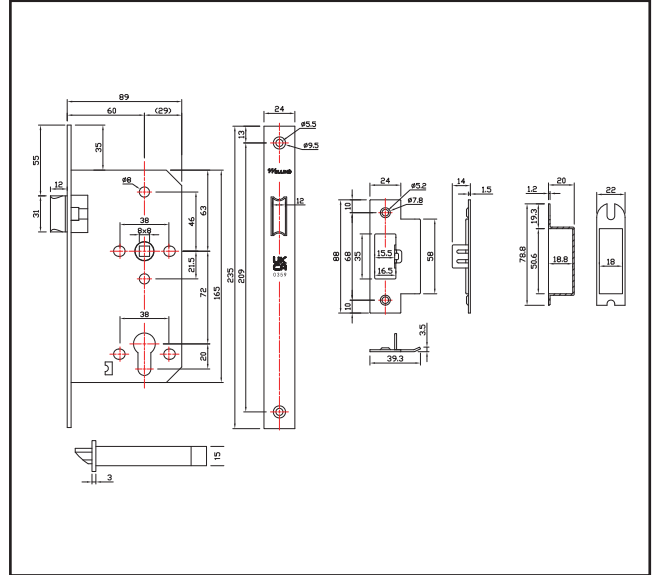


# 640.0025.39

DIN Latch Case – 60mm backset – Black



## Product Specification

Strike and Dust box included.

## Specification

Finish	Black
Type	Latch
Backset	60mm
Centres	72mm
Follower Size	8mm
Forend	Square
Forend Size	L 235mm x W 24mm x T 3mm
Handed	Non Handed
UKCA Marked	Yes
Fire Rated	240 Minutes
Tested	EN12209
Tested	EN 1634-1
Guarantee	10 Years



For more information please contact

01451 824110 | sales@wellinguk.com | www.wellinguk.com

Welling Ironmongery Ltd, Unit R1, Bourton Industrial Park, Bourton on the Water GL54 2HQ

