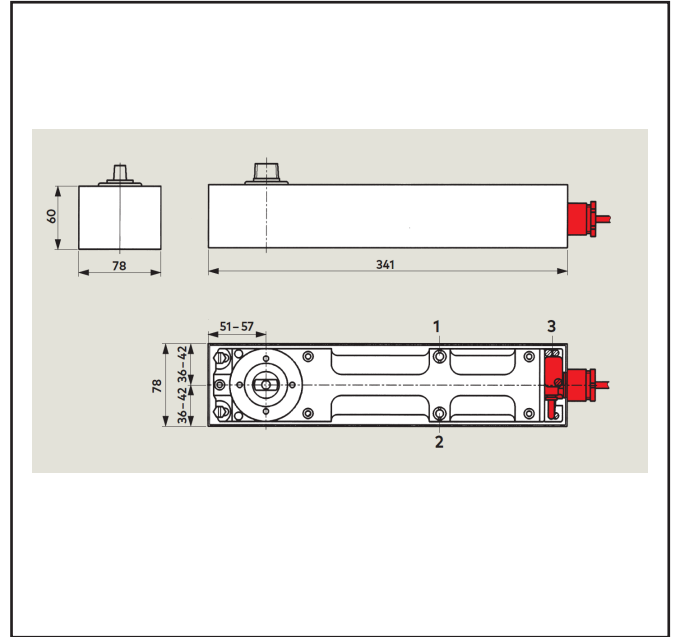


530.8104.01

Dorma BTS80 EMB EN4 Electromagnetic Floor Spring – Hold-open



Product Specification

24V DC 95mA nominal Operating Voltage
Hold Open operation
Concealed installation
Multipoint hold open
Mechanical backcheck

Suitable for Single and Double Action Doors
Cover supplied separately
Spindle supplied separately
Mechanical backcheck, and adjustable hold-open position
Cover supplied separately
Extension spindles available

Specification

Brand	DORMA
Power Size	EN4
Max Door Width	1100mm
Max Door Weight	300kg
Cover Included	No
Backcheck	Mechanical
Hold Open	Yes
Handed	Non-handed
Power	24v DC
Certifire Approved	Yes
Tested	EN1154 & EN1155

For more information please contact

01451 824110 | sales@wellinguk.com | www.wellinguk.com

Welling Ironmongery Ltd, Unit R1, Bourton Industrial Park, Bourton on the Water GL54 2HQ