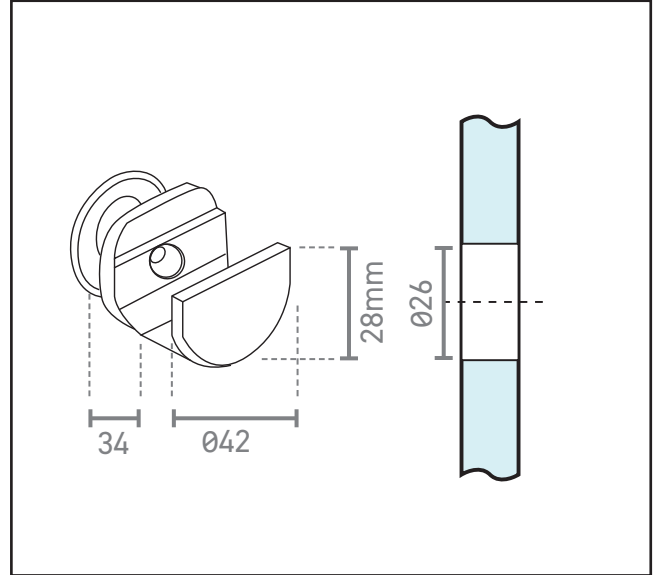


570.6116.39

SG Anti-Jump Track Holder - Glass-to-Glass - Non-Countersunk



Product Specification

SG track holder for glass-to-glass application

Non-countersunk fitting

Anti-Jump version

Specification

Finish	Matt Black
Glass Thickness	10-12mm
Countersunk Fitting	No
Anti-Jump	Yes

For more information please contact

01451 824110 | sales@wellinguk.com | www.wellinguk.com

Welling Ironmongery Ltd, Unit R1, Bourton Industrial Park, Bourton on the Water GL54 2HQ