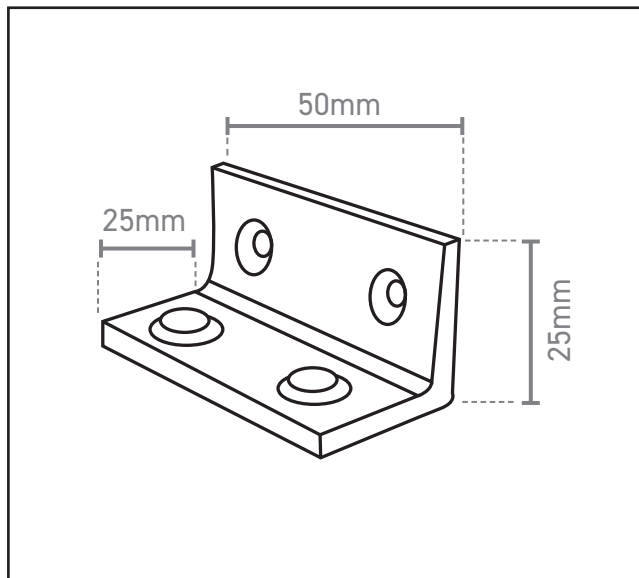


# 570.0114.39

Angle Head Stop with Buffers



## Product Specification

Includes rubber buffers to cushion the door

## Specification

Finish	Black
Dimensions	25 x 25mm
Length	50mm
Thickness	2mm

For more information please contact

01451 824110 | sales@wellinguk.com | www.wellinguk.com

Welling Ironmongery Ltd, Unit R1, Bourton Industrial Park, Bourton on the Water GL54 2HQ