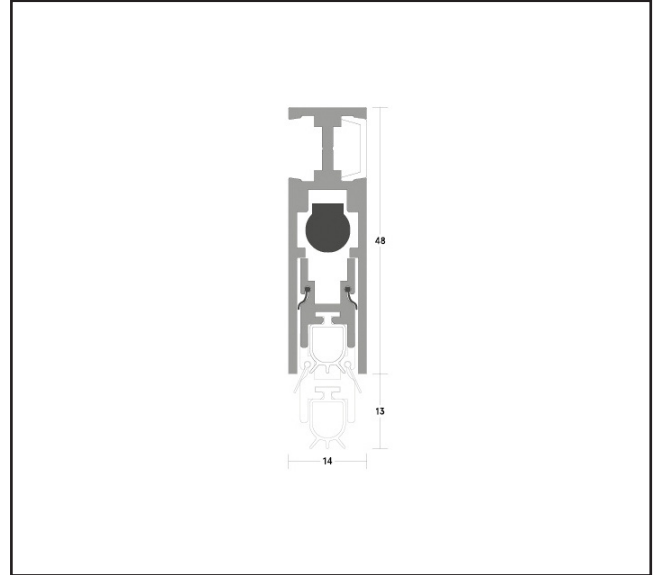
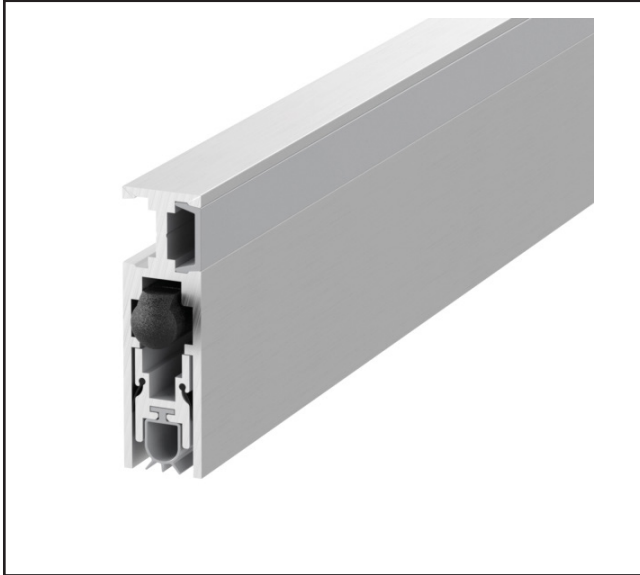


ZZ710.80

LAS8003 SI DROP SEAL - FACE-FIXED OR SEMI-MORTISED



Product Specification

A slimline, face-fixed or semi-mortised automatic dropseal. It features a high efficiency mechanism, which liftsthe seal clear of the floor as soon as the door is openedby a few millimetres; resulting in lower door operatingforces. Surface mounted application suitable forupgrading existing doors. Requires no power connection.Self-levelling on uneven floors; seal height can beadjusted independently of fixing screws.

| Product Code | Overall Length | Min Length | Min/Max Gap | Finish |
|---------------|----------------|------------|-------------|---------------------------|
| ZZ710.8034.11 | 335mm | 255mm | 1mm/13mm | Silver anodised aluminium |
| ZZ710.8035.11 | 435mm | 335mm | | |
| ZZ710.8036.11 | 535mm | 435mm | | |
| ZZ710.8003.11 | 735mm | 635mm | | |
| ZZ710.8013.11 | 835mm | 735mm | | |
| ZZ710.8023.11 | 935mm | 835mm | | |
| ZZ710.8033.11 | 1035mm | 935mm | | |
| ZZ710.8037.11 | 1135mm | 1035mm | | |

Single swing, single + double leaf doors. For use on both right + left handed doors
Self-levelling on uneven surfaces. Can be adjusted independently of the fixing screws

KEY FEATURES

Smoke: BS 476-31.1: 1983 at ambient temperature.
Acoustic: BS EN ISO 10140-2: 2010 (up to Rw 33dB)

Meets smoke requirement: BS 9999: 2017

For more information please contact

01451 824110 | sales@wellinguk.com | www.wellinguk.com

Welling Ironmongery Ltd, Unit R1, Bourton Industrial Park, Bourton on the Water GL54 2HQ