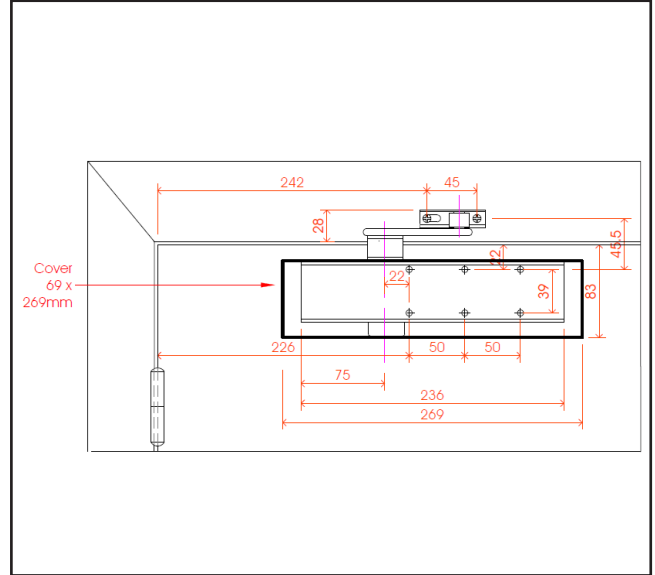


570.9205.11

Rutland 9205 Door Closer - EN2-5 - Back Check - Silver Effect



Product Specification

Rutland 9205 Certifire approved Door Closer is known for its high efficiency & ease of opening.

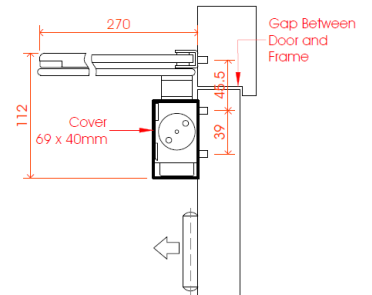
Successfully third party tested to BS EN1154 & CE marked to power size 2-5.

Variable power adjustable EN2-5 – does doors up to 110kg & 1250mm wide

DDA BS8300 – helping to assist door sets with ease of opening

Universal application – can be fitted in Standard, Parallel arm or Transom fitting position

Available with delayed action & back check



Specification

Brand	Rutland
Finish	Silver Effect
Power Size	EN2-5
Max Door Width	1250mm
Max Door Weight	110kg
Delayed Action	Yes
Back Check	Yes
Opening Angle	180°
Application	Universal Application
Latch Speed	Adjustable Latch Speed
Closing Speed	Adjustable Closing Speed
Fire Tested	EN1634-1
DDA	BS8300

For more information please contact

01451 824110 | sales@wellinguk.com | www.wellinguk.com

Welling Ironmongery Ltd, Unit R1, Bourton Industrial Park, Bourton on the Water GL54 2HQ

SCISSOR ARM DOOR CLOSERS

TS.9205

Designed to last, the TS.9205 is a popular and highly efficient door closer with both optional back check and delayed action, and assisting BS8300.

- Power Adjustable EN2-5.
- 15 Finishes available for next day delivery, including an anti-corrosion Marine316.
- Slimline body & cover with only 40mm projection.



3rd Party Certification



Opening Angle 180°



Two-Stage Speed Regulation



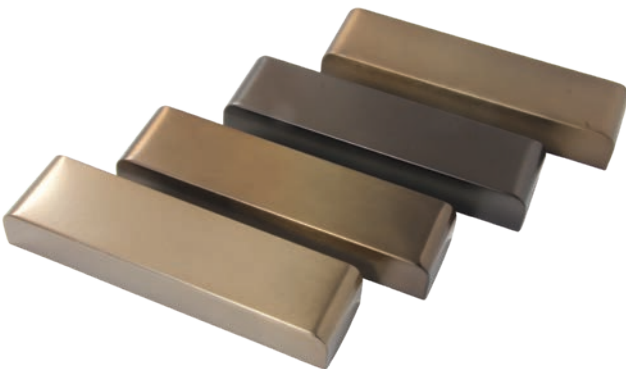
Guarantee



Max Door Width



Max Door Weight

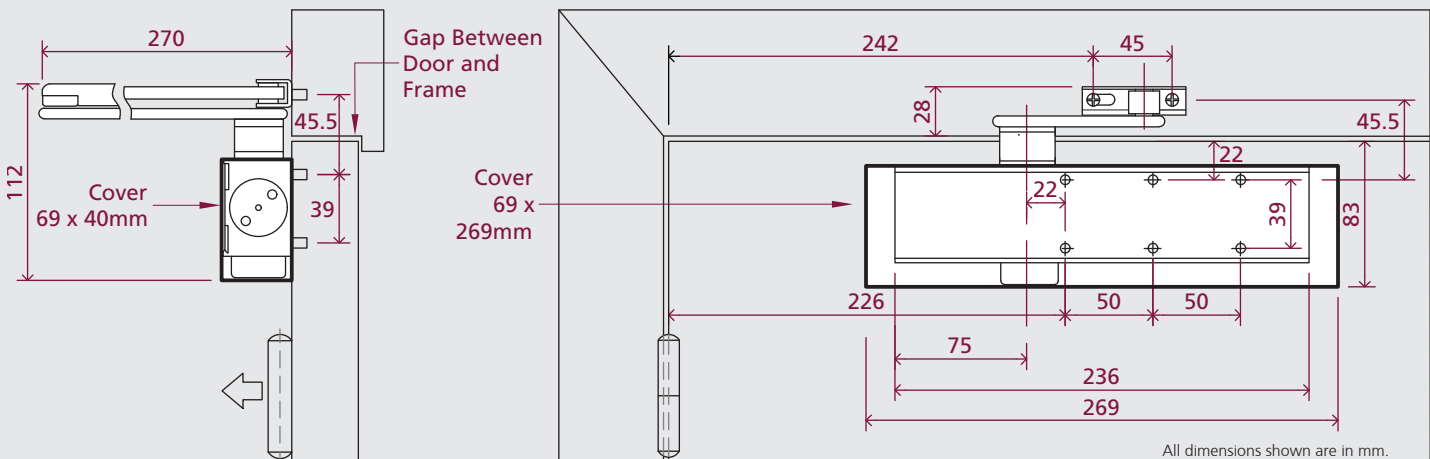


Finishes

See page 98 for more detail



Product Features	TS.9205
Delayed Action	✓
Back Check	✓
Opening Angle	180°
Fig.1 Pull Side Door Width	390-1250mm
Fig.66 Push Side Door Width	390-1100mm
Fig.1 BS8300 Min Door Width	835mm
Fig.66 BS8300 Min Door Width	728mm
Max Door Weight	<110kg
Power Adjustment	By Spring
Hold Open (not for fire doors)	◦
Dimensions (including cover)	W269 x H69 x D40mm
Certification Compliance	
Certifire	✓
UKCA	✓
CE	✓
BS EN 1154	✓
BS EN 1634	✓
UL10C	✓
UL228	✓
ANSI BHMA	-
IFCC	✓
Key: ✓ Yes - No ◦ Option	



For fitting instructions see website