

# 400.8708.01

DDA Peanut WC Turn & release - Indicator

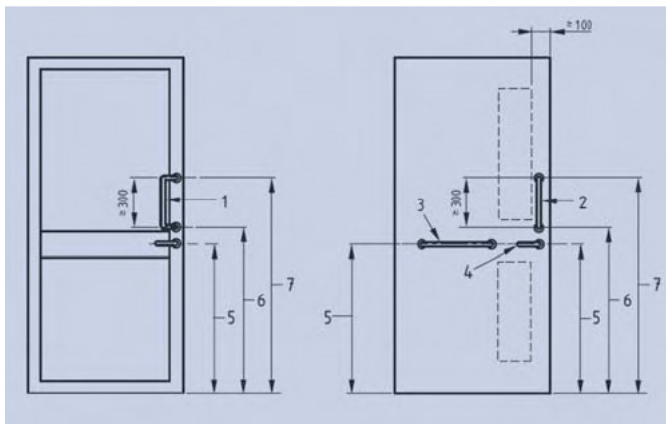


## Product Specification

Includes indicator on external side

## Specification

Finish	Satin Stainless Steel
Rose Size	52 x 8mm
Spindle	8mm
Indicator	Yes
Sold as	Set
Fitting Height	800-1050mm, with preferred height being 900mm for lever furniture



For more information please contact

01451 824110 | [sales@wellinguk.com](mailto:sales@wellinguk.com) | [www.wellinguk.com](http://www.wellinguk.com)

Welling Ironmongery Ltd, Unit R1, Bourton Industrial Park, Bourton on the Water GL54 2HQ