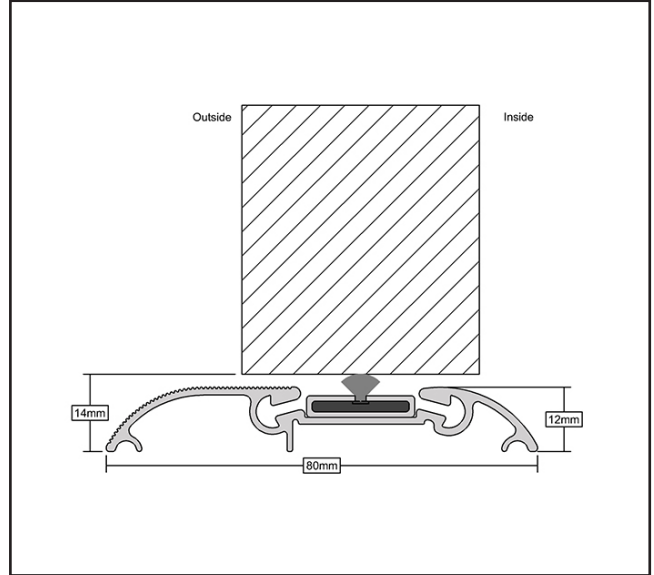
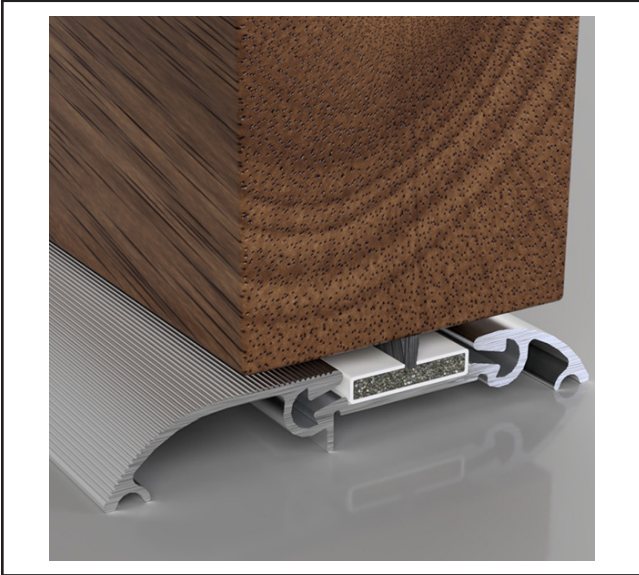


700.8030.11

Stormguard FD60 Fire & Smoke Threshold - 914mm Aluminium



Product Specification

Suitable for internal inward and outward opening doors

Easy access for light wheeled traffic

Ideal for use in apartments, schools, hotels and public buildings where smoke seals and draught excluders are required

Pre-drilled fixing holes

Specification

| | |
|------------|-----------|
| Finish | Aluminium |
| Length | 914mm |
| Fire Rated | FD60 |
| Seal Gaps | 12-15mm |
| | |
| | |
| | |
| | |
| | |
| | |

For more information please contact

01451 824110 | sales@wellinguk.com | www.wellinguk.com

Welling Ironmongery Ltd, Unit R1, Bourton Industrial Park, Bourton on the Water GL54 2HQ