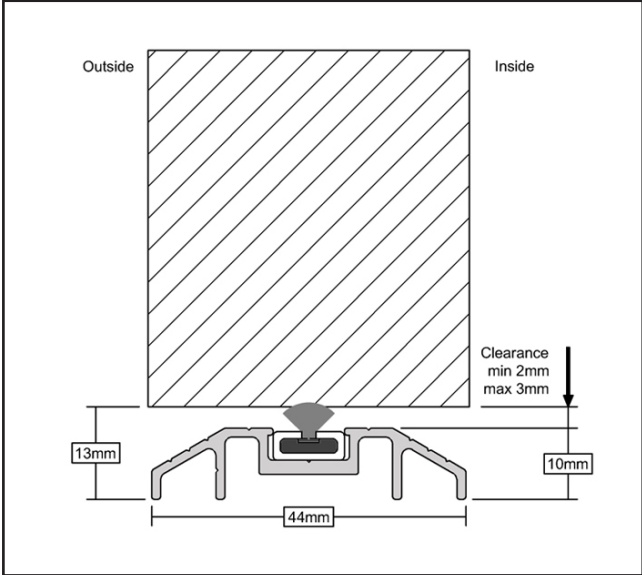
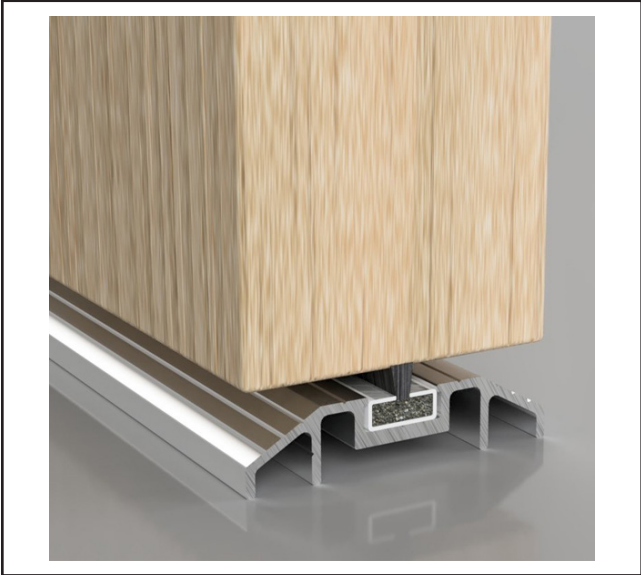


700.8021.11

Stormguard FD30 Fire & Smoke Threshold - 1000mm Aluminium



Making Ironmongery Easy



Product Specification

- Suitable for internal inward and outward opening doors
- Hard wearing draught excluder and sound barrier
- Pre-drilled fixing holes
- Ideal for use in apartments, schools, hotels and public buildings where smoke seals, draught excluders and sound proofing is required

Specification

Finish	Aluminium
Length	1000mm
Fire Rated	FD30
Seal Gaps	12-13mm