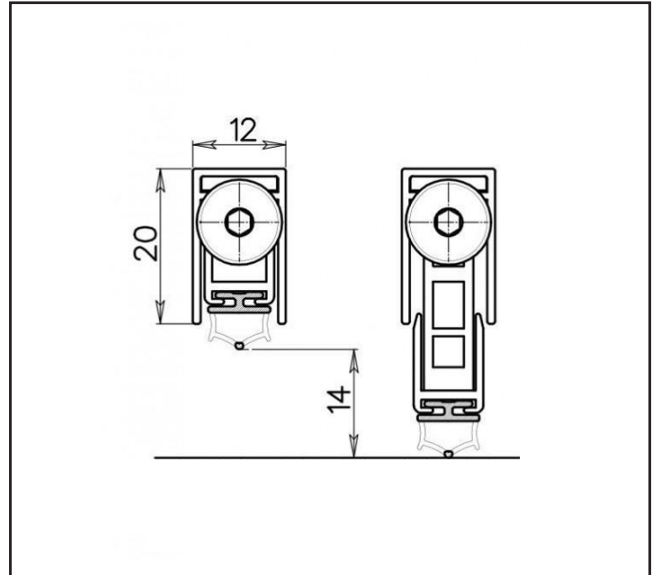


Trend Drop Down Seal



Product Specification

Removable seal to aid in fitting/replacement

Self-directing reinforced plunger

Therm type high quality co-extruded, self-extinguishing seal, in aluminium body

Product Code	Overall Length	Max Trimmed Length	Max Cut-Down	Finish
ZZ710.1315.11	326mm	276mm	100mm	Silver
ZZ710.1316.11	426mm	291mm	135mm	
ZZ710.1317.11	526mm	326mm	200mm	
ZZ710.1318.11	626mm	426mm		
ZZ710.1319.11	726mm	526mm		
ZZ710.1320.11	826mm	626mm		
ZZ710.1321.11	926mm	726mm		
ZZ710.1322.11	1026mm	826mm		
ZZ710.1323.11	1126mm	926mm		
ZZ710.1324.11	1226mm	1026mm		

KEY FEATURES

14mm maximum drop

Tested to 200,000 cycles

Acoustic testing under taken in accordance with BS EN ISO 10140-1 & BS EN ISO 10140-2 achieving a rating of 39dB

Fire tested to BS EN 1634-1 & BS476: Part 22 to 60 minutes

Smoke tested to BS EN 1634-3: 2004

Sold as each

Acoustically tested achieving up to 39dB Rw