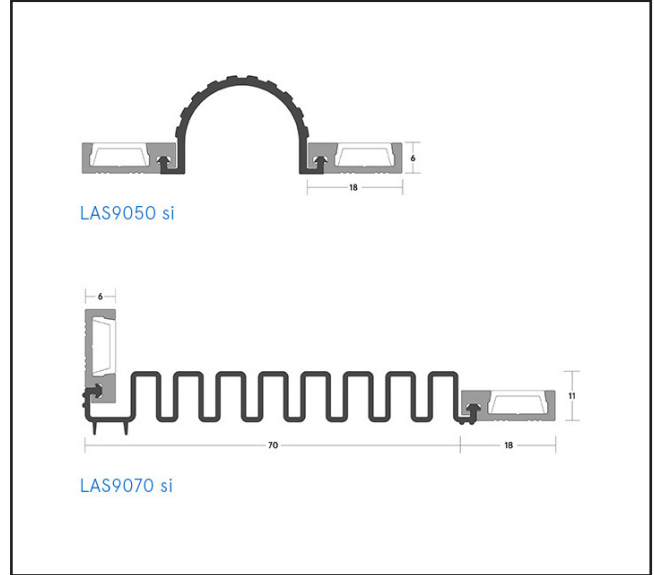


# 731.9795.11

Lorient LAS9070/9050 SI Finger Guard Kit



## Product Specification

This medium duty finger guard seal for the hinge knuckle side and Cavity Side of the door is part of a system that provides a shield to trapping fingers in hinged doors, which can cause horrendous injuries.

Self-tapping wood screws are supplied (self-drilling and self-tapping screws for metal construction available on request). Fixing holes are pre-drilled and slotted to allow the seals to be adjusted and positioned accurately. PVC cover strips to conceal fixings are supplied

## Specification

Finish	Silver Anodised Aluminium
Length	2100mm
Location	Can be used on doors with an opening of 180°
Type	Hinge Knuckle & Cavity Side
Tested	BS 8613:2017



For more information please contact

01451 824110 | sales@wellinguk.com | www.wellinguk.com

Welling Ironmongery Ltd, Unit R1, Bourton Industrial Park, Bourton on the Water GL54 2HQ

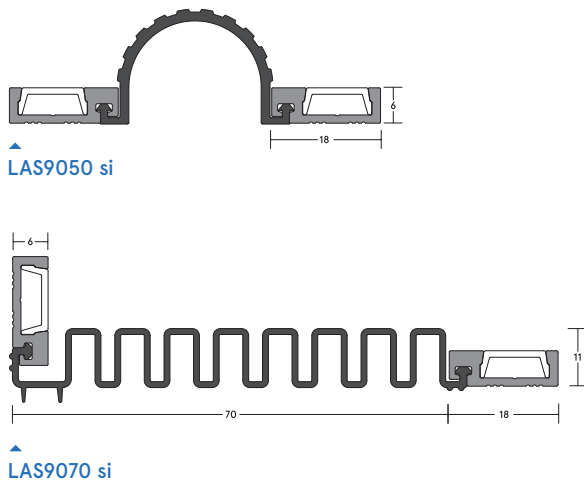
# LAS9050 si + LAS9070 si

## MEDIUM DUTY

This medium duty finger guard seal system provides a shield to trapping fingers in hinged doors, which can cause horrendous injuries. Protects both sides of the door by using the LAS9050 si on the hinge knuckle side and the LAS9070 si on the hinge cavity side.



FINGER GUARD SEALS



### SYSTEM SPECIFICATIONS

#### Test evidence

- ▶ Tested to BS 8613:2017 (Finger protection devices for pedestrian doors - Type A, Class 1).

#### Performance

- ▶ Protects against draught and light.
- ▶ Suitable for wheeled traffic.

#### Location

- ▶ Jambs of hinged doors. LAS9070 si can be used on doors with an opening of 180°.

#### Use with

- ▶ LAS7001 si perimeter seal and LAS8001 si drop seal (fully mortised).

#### Seal material

- ▶ Silicone.

#### Standard lengths

- ▶ 2.1m. Other lengths to special order. Single doorset packs are available containing 1 x 2.1m LAS9050 si and 1 x 2.1m LAS9070 si.

#### Fixing

- ▶ Self-tapping wood screws are supplied (self-drilling and self-tapping screws for metal construction available on request).
- ▶ Fixing holes are pre-drilled and slotted to allow the seals to be adjusted and positioned accurately. PVC cover strips to conceal fixings are supplied.

#### Finishes

- ▶ Silver anodised aluminium with grey cover strip and grey gasket.
- ▶ Bronze anodised aluminium with black cover strip and black gasket. (Black, brown or cream gaskets are also available).