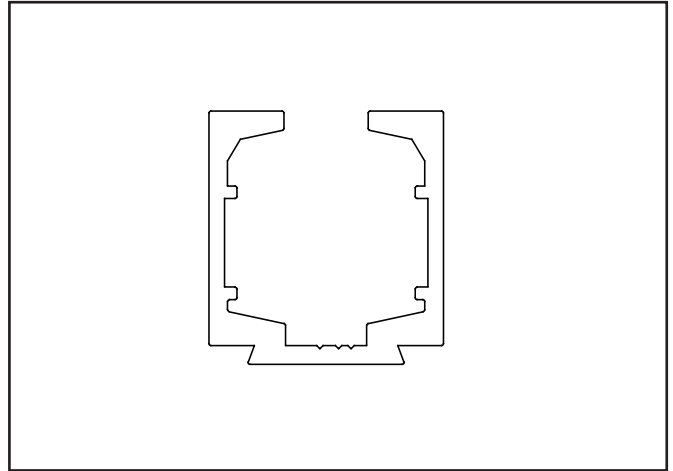
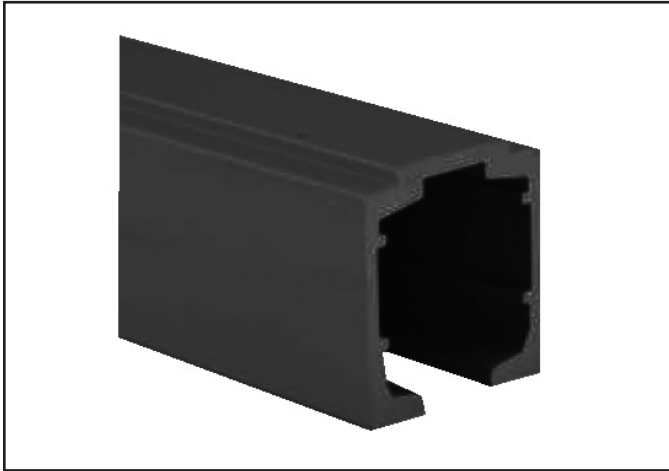


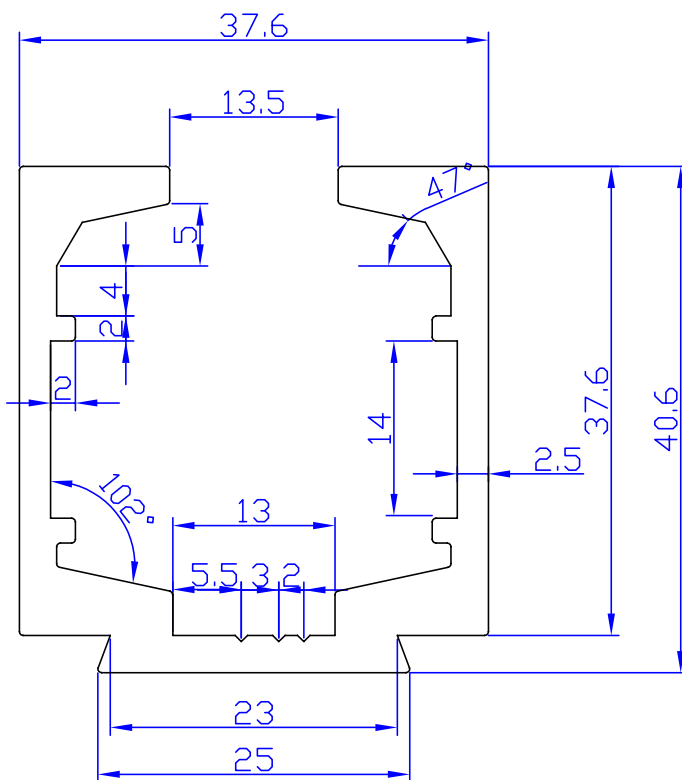
# 570.0340.39

TG sliding door kit track - 2 Meter Length



## Specification

Finish	Black
Length	2 Meters



For more information please contact

01451 824110 | sales@wellinguk.com | www.wellinguk.com

Welling Ironmongery Ltd, Unit R1, Bourton Industrial Park, Bourton on the Water GL54 2HQ