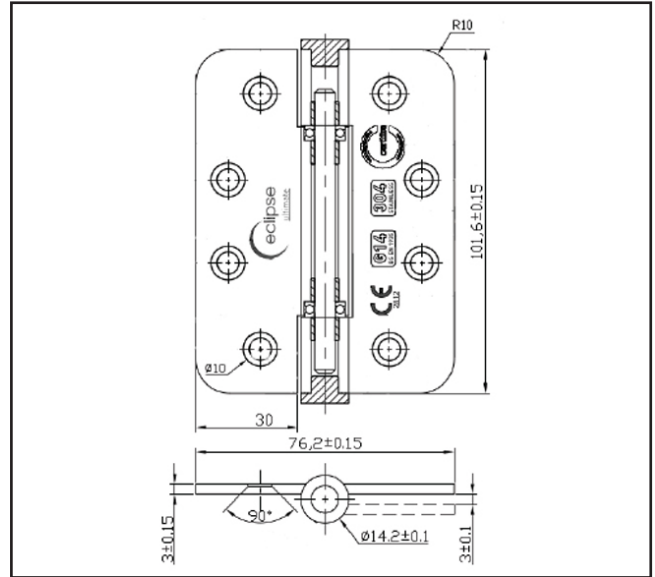


# 550.1433.01

Concealed Bearing Hinges - Grade 14 - Radius - PAIR



## Product Specification

Grade 304 Stainless steel

Suitable for doors 44-54mm thick

160 kg max door weight includes furniture & fixtures that increase door mass

Intumescent hinge pads must be used with the product for fire door compliance

## Specification

Finish	Satin Stainless Steel
Grade	Grade 14
Size	102 x 76 x 3mm
Max Door Weight	160kg
Corners	Radius
Fire Rated	FD 30, 60, 90, 120 fire rated on timber doors
Steel Doors	FD 240
Fire Rated	EN1634
Performance tested	EN1935 tested to 200,000 cycles
CE Marked	Yes
Pack	QTY x 2

For more information please contact

01451 824110 | sales@wellinguk.com | www.wellinguk.com

Welling Ironmongery Ltd, Unit R1, Bourton Industrial Park, Bourton on the Water GL54 2HQ