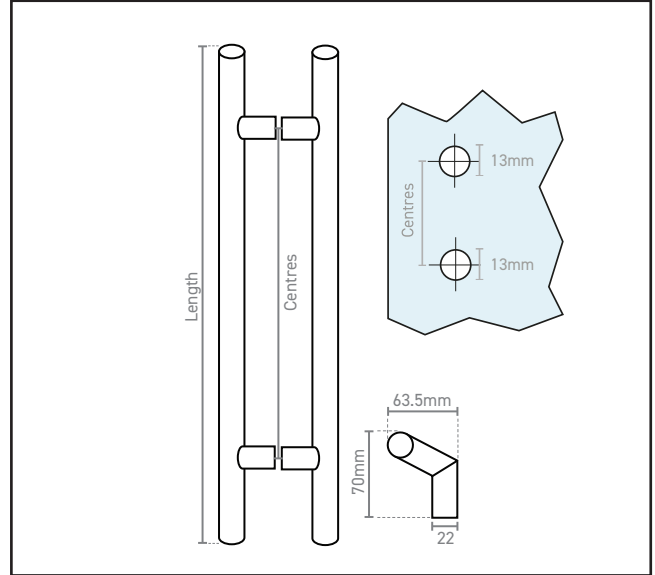


120.0198.43

Guardsman Offset/Cranked Pull Handles - Back to Back - Grade 316



Product Specification

Guardsman Offset/Cranked Pull Handles
Back to Back
Pair

Timber Door Thickness 44-54mm
Glass Door Thickness 10-12mm

Specification

Finish	Copper Finish
Fixing Centres	1000mm
Overall Length	1200mm
Diameter	25mm
Fixing Type	Back to Back
Fixing Hole Size	13mm Diameter - Glass Doors
Bolt Size	M8

For more information please contact

01451 824110 | sales@wellinguk.com | www.wellinguk.com

Welling Ironmongery Ltd, Unit R1, Bourton Industrial Park, Bourton on the Water GL54 2HQ