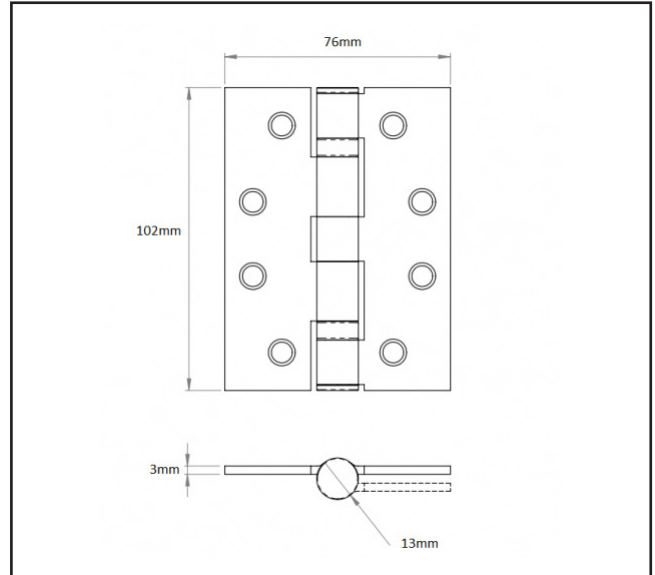


# 550.6095.37

609 Ball Bearing Butt Hinge - Grade 13 - Square Corners - Pack of 3



## Product Specification

BS EN 1935  
BS EN 1634  
UKCA

Intumescent hinge pads should be used when installing on fire doors  
To achieve FD30 or FD60 and comply with fire test evidence - 2 x 0.8mm hinge pads per hinge. One Intumescent hinge pad to be behind frame hinge leaf and one behind door hinge leaf.

## Specification

Finish	White
Diameter	102 x 76 x 3mm
Grade	Grade 13
Max Door Weight	120kg Adjusted Weight (3 hinges)
Screws Included	Yes
CE Marked	Yes
Fire Rated	FD30 & FD60
Certifire Approved	Yes
Sold as	Pack of 3

For more information please contact

01451 824110 | sales@wellinguk.com | www.wellinguk.com

Welling Ironmongery Ltd, Unit R1, Bourton Industrial Park, Bourton on the Water GL54 2HQ