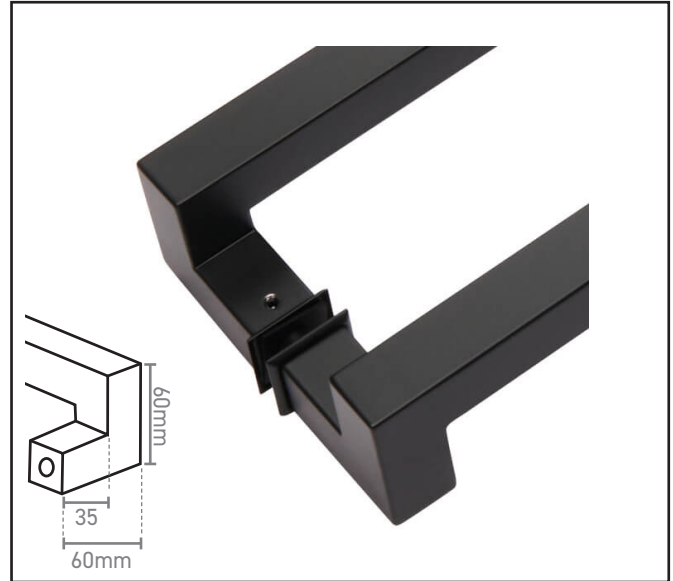


120.8100.39

Square Offset Pull Handle – Back to Back



Product Specification

Back-to-Back - Pair

Suitable for glass or timber doors

Flanges included

Specification

Finish	Black
Length	600mm
Fixing Centres	600mm
Handle Diameter	25mm
Fixing Hole Size	13mm Diameter

For more information please contact

01451 824110 | sales@wellinguk.com | www.wellinguk.com

Welling Ironmongery Ltd, Unit R1, Bourton Industrial Park, Bourton on the Water GL54 2HQ