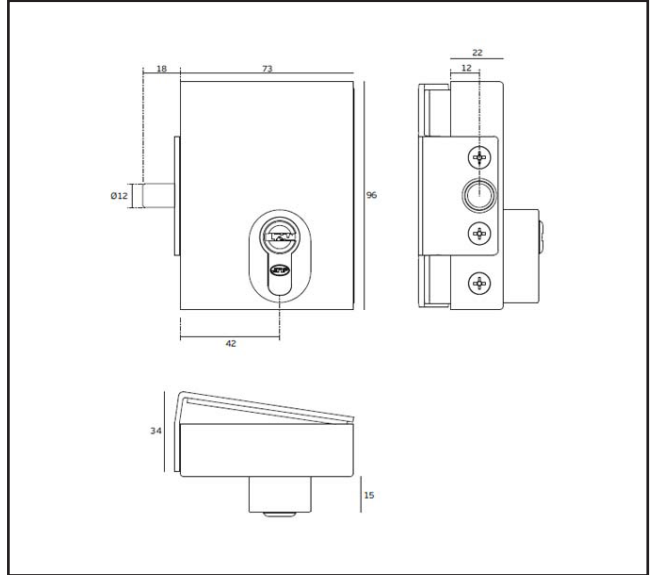


# 570.1021.39

Retro Fit Patch Lock - Euro Profile



## Product Specification

A Retro-Fit patch lock that can be fitted to glass doors with no drilling required

Lockable from one side with a single/half euro cylinder

35mm half (single) cylinder included with 3 keys

Ideal for offices and residential projects where you have not had a lock originally fitted, and a quick solution is required for frameless glass doors. Supplied with floor keep

## Specification

|                 |                                 |
|-----------------|---------------------------------|
| Finish          | Matt Black                      |
| Glass Thickness | 10mm                            |
|                 | <b>SUPPLIED WITH FLOOR KEEP</b> |
|                 |                                 |
|                 |                                 |
|                 |                                 |
|                 |                                 |
|                 |                                 |

For more information please contact

01451 824110 | sales@wellinguk.com | www.wellinguk.com

Welling Ironmongery Ltd, Unit R1, Bourton Industrial Park, Bourton on the Water GL54 2HQ