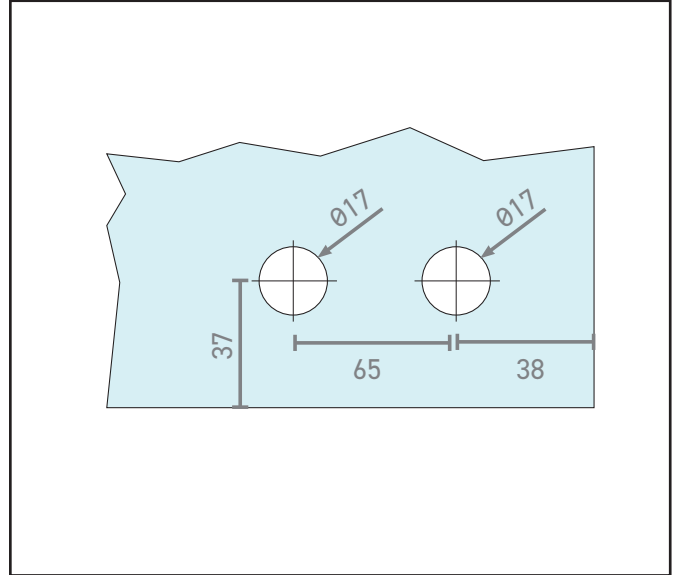


570.6060.39

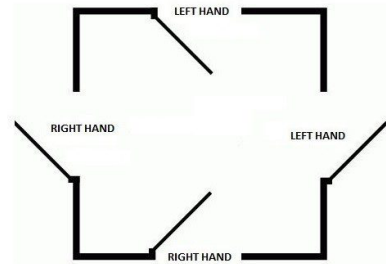
HUSH - Offset Top Patch Fitting - Left Hand



Product Specification

Offset Top Patch Fitting

Left handing



Specification

Finish	Black
Handing	Left Hand
Glass Thickness	10 - 12mm

Cut out details for the top & bottom patch fittings are the same, this is not an error top & bottom glass cut outs are the same. The deduction from bottom is to accommodate the H profile drop seal of 21mm is offset exactly by the 21mm height extension.

For more information please contact

01451 824110 | sales@wellinguk.com | www.wellinguk.com

Welling Ironmongery Ltd, Unit R1, Bourton Industrial Park, Bourton on the Water GL54 2HQ