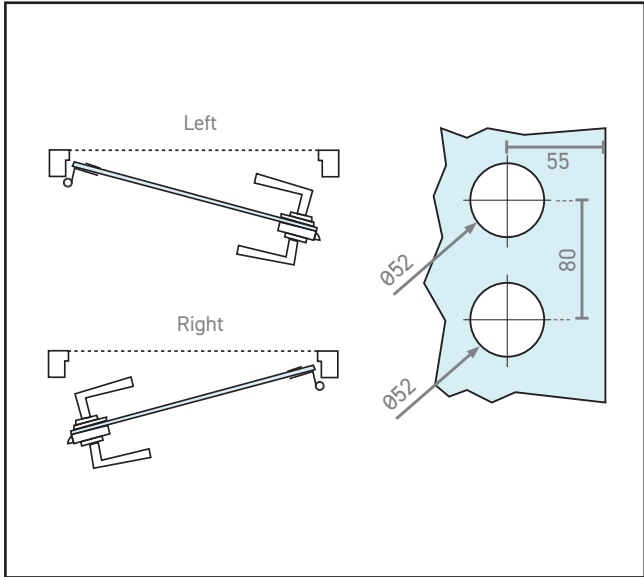
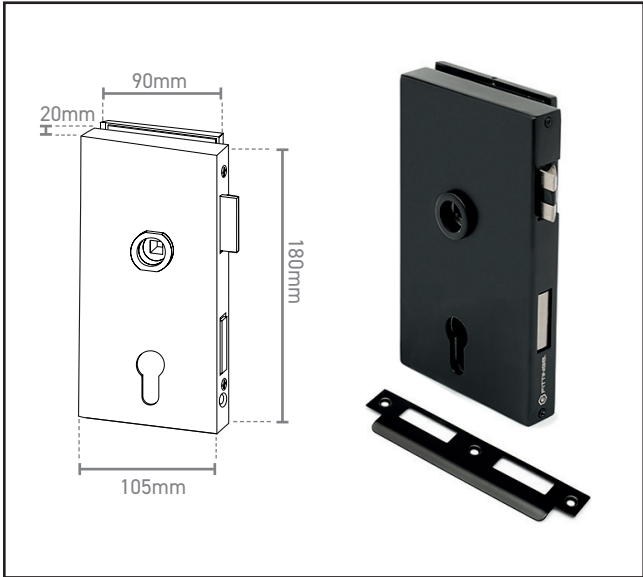


570.2930.39

Upright Patch Lock/Latch - Left Hand



Product Specification

A high quality patch lock/latch for glass doors, including a frame strike plate

Levers sold separately

Suits euro profile cylinder (not included)

Similar cutout requirements to the Dorma Junior Office Classic patch lever/locksets (check before purchasing or cutting your glass!)

Specification

| | |
|-------------------|----------------------|
| Finish | Black |
| Handing | Left Hand |
| Glass Thickness | 8-12mm |
| Levers Included | No - sold separately |
| Cylinder Included | No - sold separately |
| | |
| | |
| | |
| | |

For more information please contact

01451 824110 | sales@wellinguk.com | www.wellinguk.com

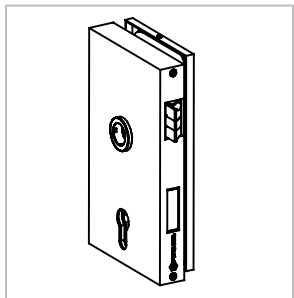
Welling Ironmongery Ltd, Unit R1, Bourton Industrial Park, Bourton on the Water GL54 2HQ

Technische Daten:
Office Glastürschloss - MARELLE

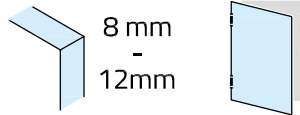
Datasheet:
Office glass door lock - MARELLE

Art. 77452930001-12
Art. 77452930001-26

Stand 05.2022



Ausführung:
Options:



DIN links/left

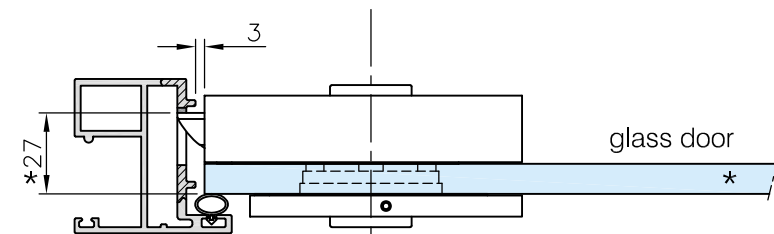
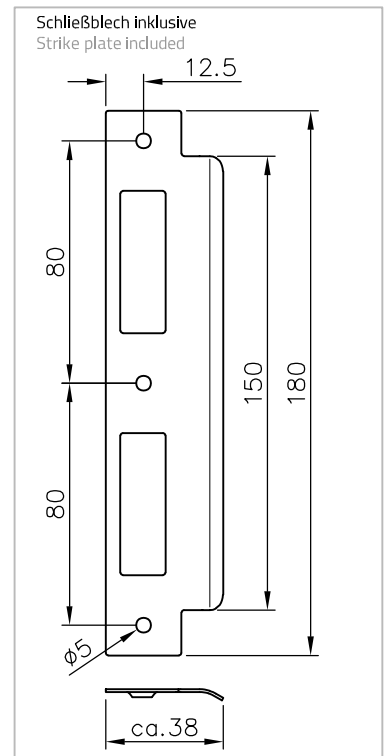
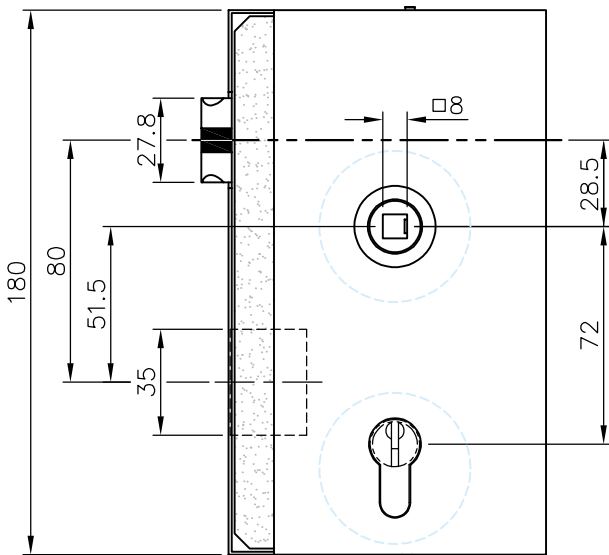
für:/for:
Profilzylinder
Profile cylinder

Material: V2A
Material: Stainless steel AISI 304

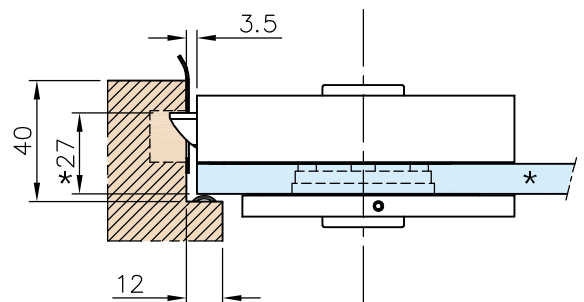
Gewicht: / Weight: 0,615 kg

Oberflächen:
Finish: Edelstahl-Design
Stainless steel design

Anthrazit-Design
Anthracite design



aluminium door frame
art.: 77495252....

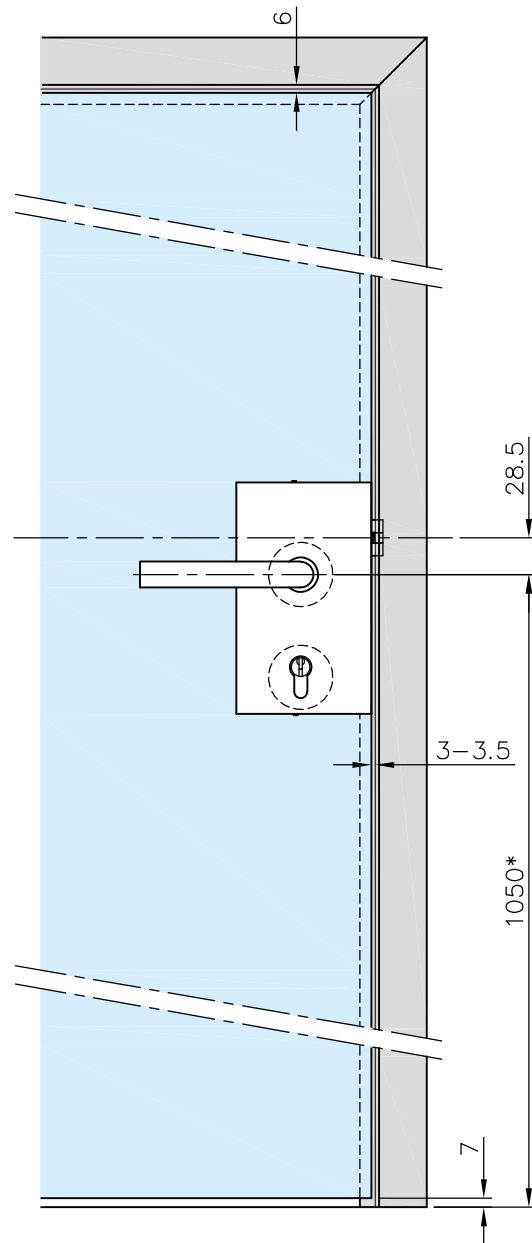
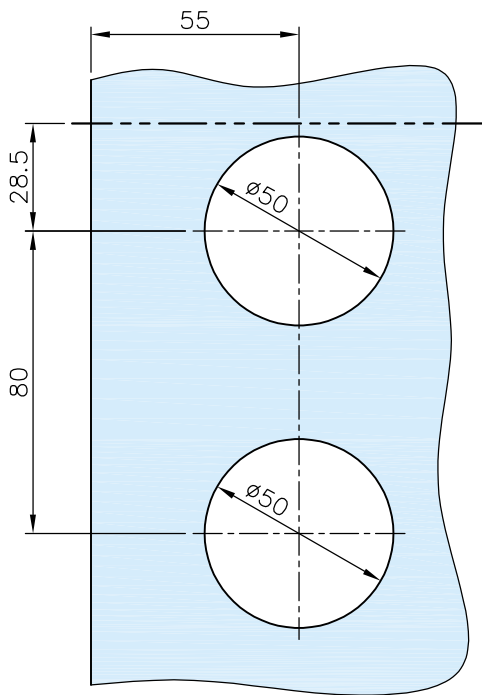


example wooden
door frame

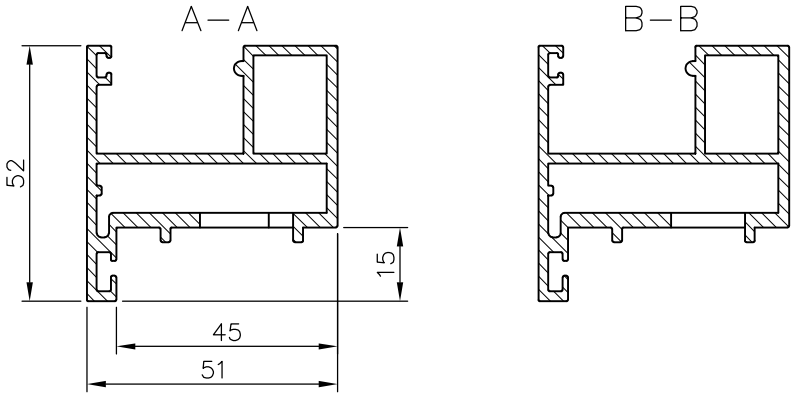
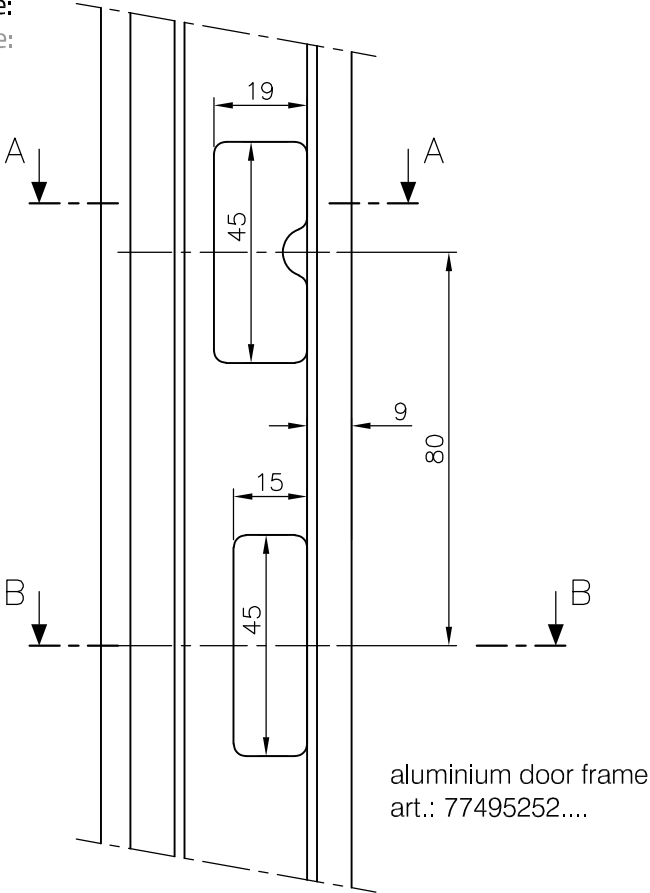
*drawing shows
10mm glass

Art. 77452930001-12
 Art. 77452930001-26

Glasbearbeitung:
 Glass preparation:



*Empfohlene Türdrücker Höhe
 *Recommended door handle height

Art. 77452930001-12
Art. 77452930001-26**Detail Aluminium Zarge:**
Detail aluminium frame:**G-FITTINGS GmbH**Marie-Curie-Straße 16-18
46446 Emmerich am Rhein
T +49 (0)2822 962 0
F +49 (0)2822 962 221
E sales@g-fittings.com