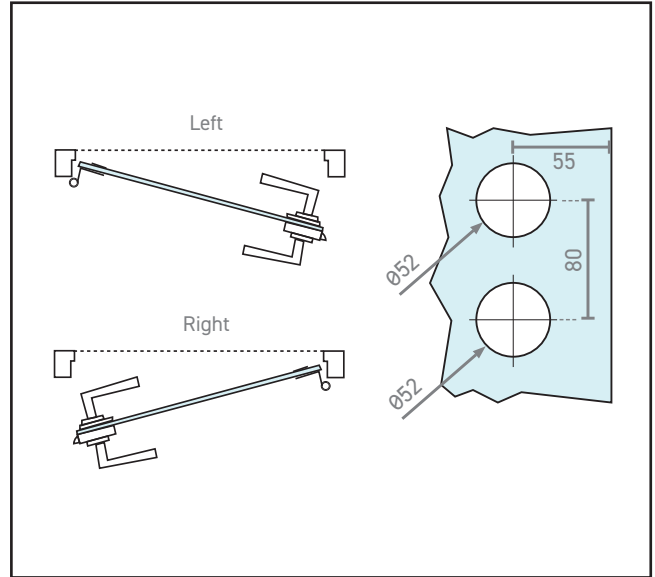
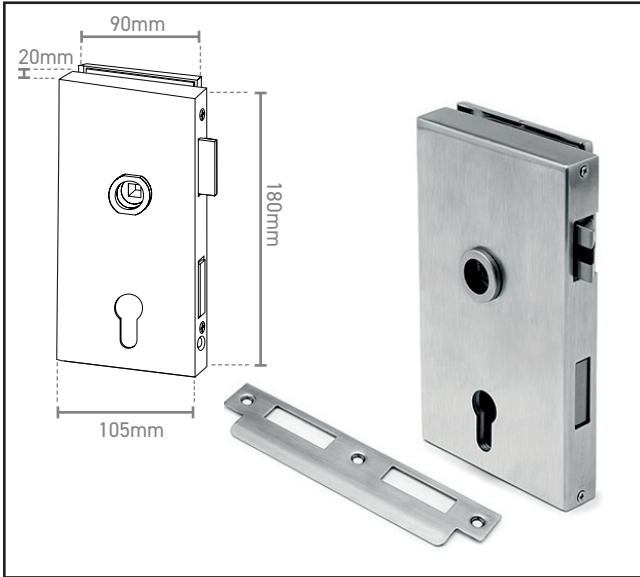


570.2930.01

Upright Patch Lock/Latch - Left Hand



Product Specification

A high quality patch lock/latch for glass doors, including a frame strike plate

Levers sold separately

Suits euro profile cylinder (not included)

Similar cutout requirements to the Dorma Junior Office Classic patch lever/locksets (check before purchasing or cutting your glass!)

Specification

Finish	Satin Stainless Steel
Handing	Left Hand
Glass Thickness	8-12mm
Levers Included	No - sold separately
Cylinder Included	No - sold separately

For more information please contact

01451 824110 | sales@wellinguk.com | www.wellinguk.com

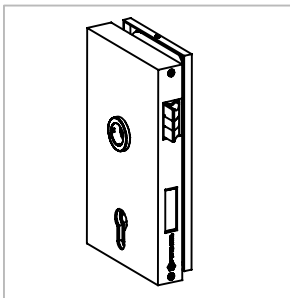
Welling Ironmongery Ltd, Unit R1, Bourton Industrial Park, Bourton on the Water GL54 2HQ

Technische Daten:
Office Glastürschloss - MARELLE

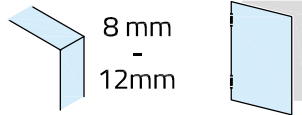
Datasheet:
Office glass door lock - MARELLE

Art. 77452930001-12
Art. 77452930001-26

Stand 05.2022



Ausführung:
Options:



DIN links/left

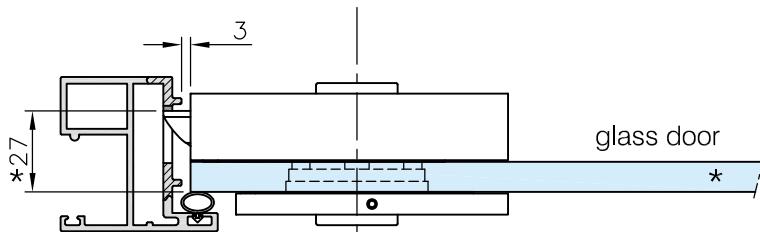
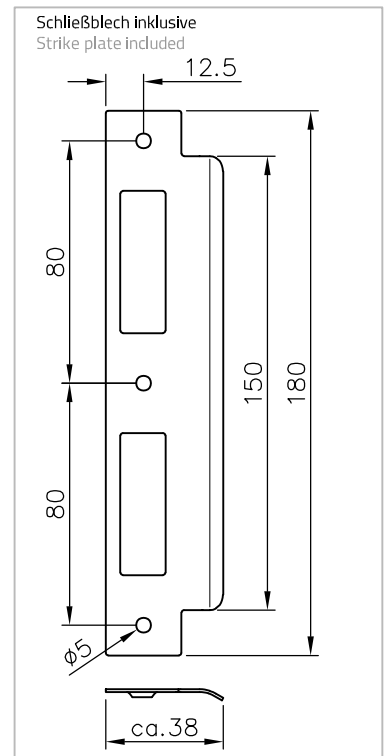
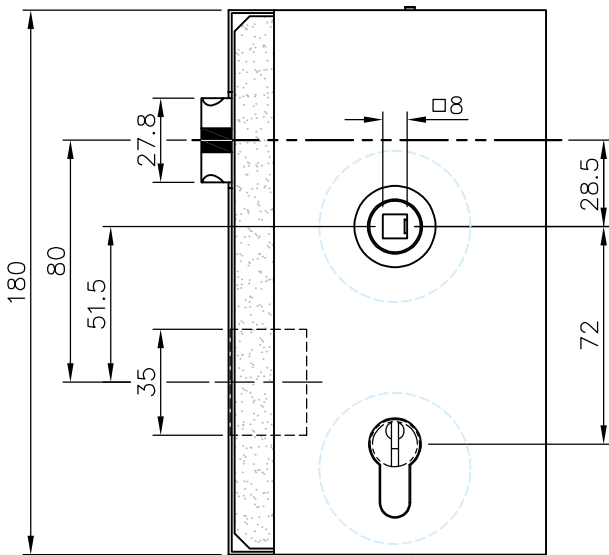
für:/for:
Profilzylinder
Profile cylinder

Material: V2A
Material: Stainless steel AISI 304

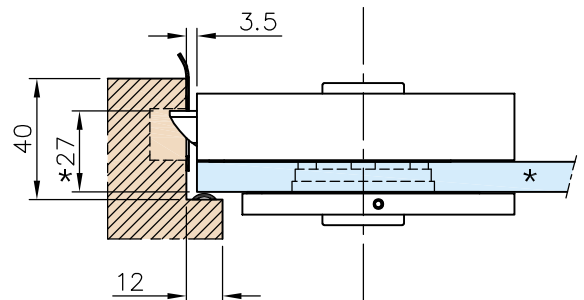
Gewicht: / Weight: 0,615 kg

Oberflächen:
Finish: Edelstahl-Design
Stainless steel design

Anthrazit-Design
Anthracite design



aluminium door frame
art.: 77495252....

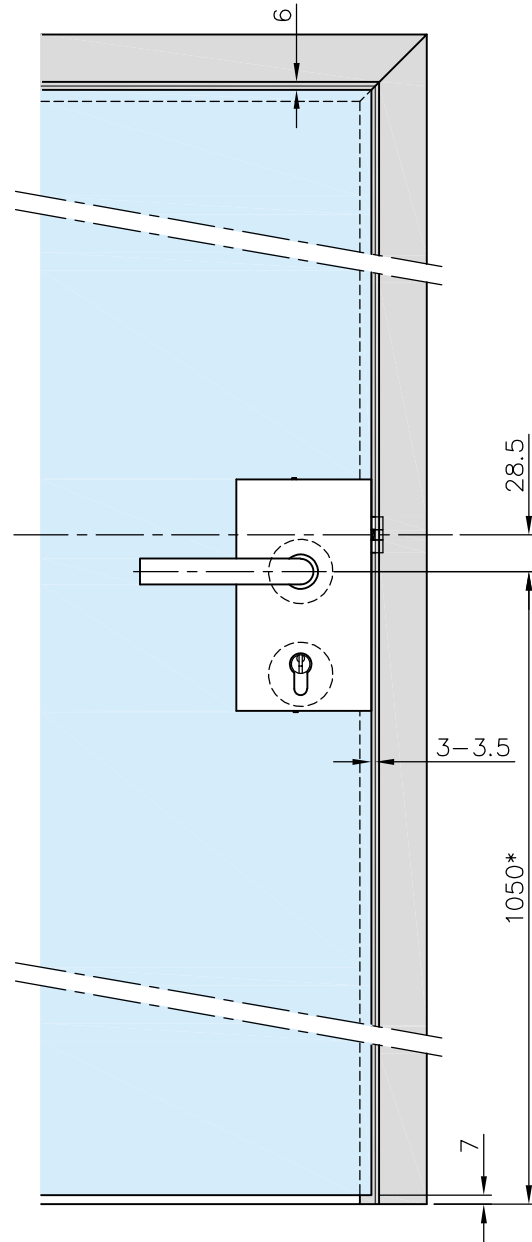
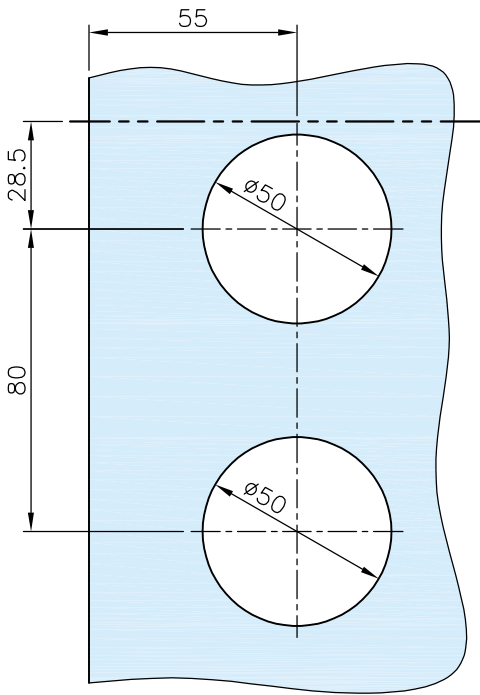


example wooden
door frame

*drawing shows
10mm glass

Art. 77452930001-12
 Art. 77452930001-26

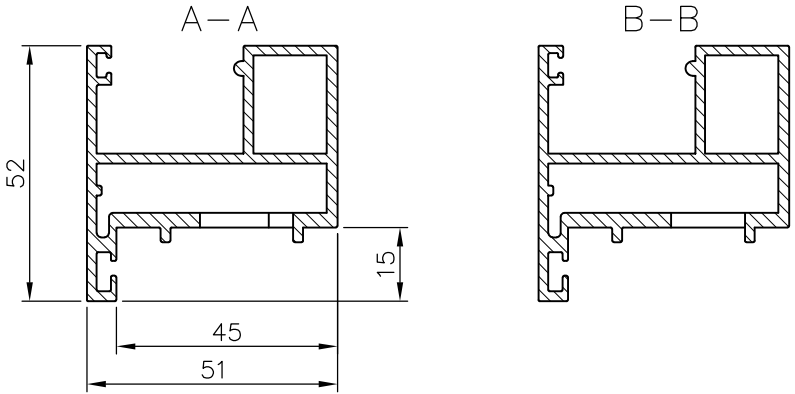
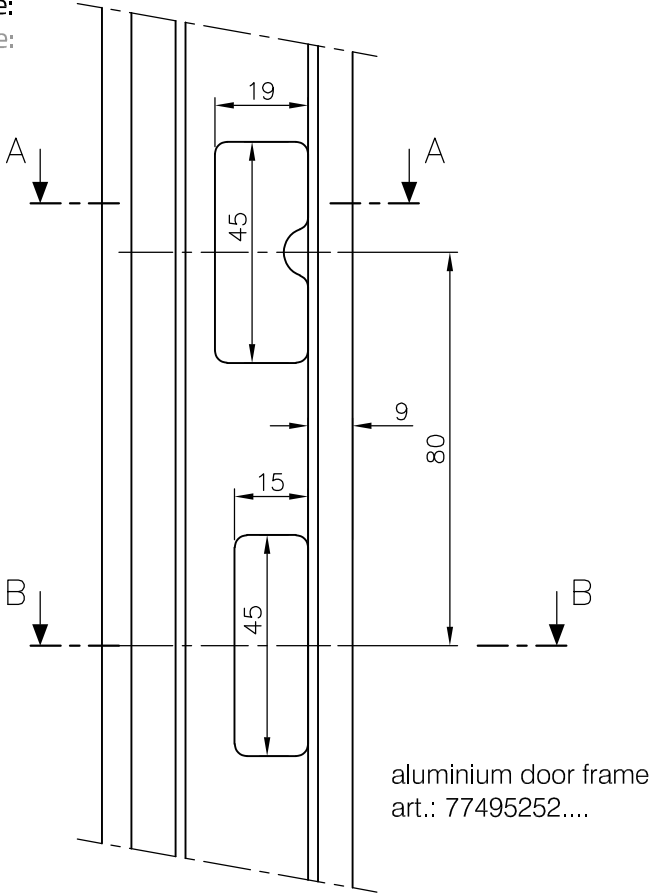
Glasbearbeitung:
 Glass preparation:



*Empfohlene Türdrücker Höhe
 *Recommended door handle height

Art. 77452930001-12
 Art. 77452930001-26

Detail Aluminium Zarge:
 Detail aluminium frame:



G-FITTINGS GmbH

Marie-Curie-Straße 16-18
 46446 Emmerich am Rhein
 T +49 (0)2822 962 0
 F +49 (0)2822 962 221
 E sales@g-fittings.com