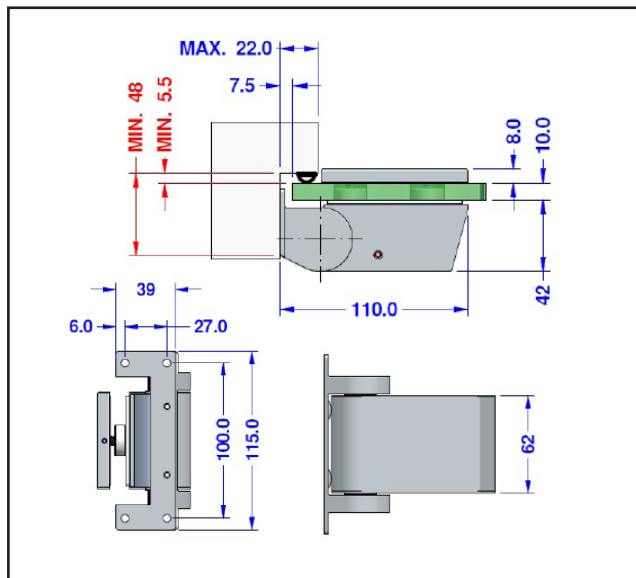


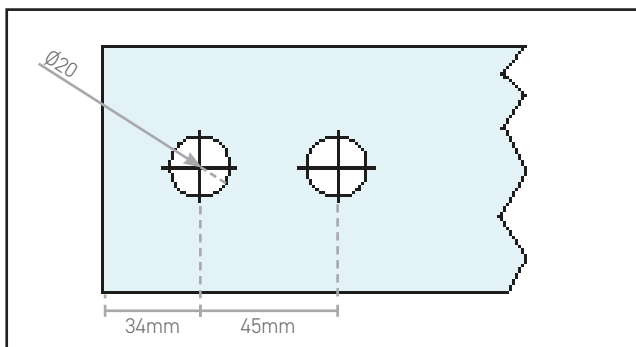
# 570.0845.39

FORTIS - Hydraulic hinge - Glass to Rebated Frame



## Product Specification

Fortis 845 Black hydraulic glass door hinge hold open – glass to rebated frame.  
Sold each



## Specification

Finish	Black
Range	Fortis
Glass Thickness	10-12mm
Max Door Width	1000mm
Max Door Weight	100kg
Opening Angle	0° + 90°

For more information please contact

01451 824110 | sales@wellinguk.com | www.wellinguk.com

Welling Ironmongery Ltd, Unit R1, Bourton Industrial Park, Bourton on the Water GL54 2HQ