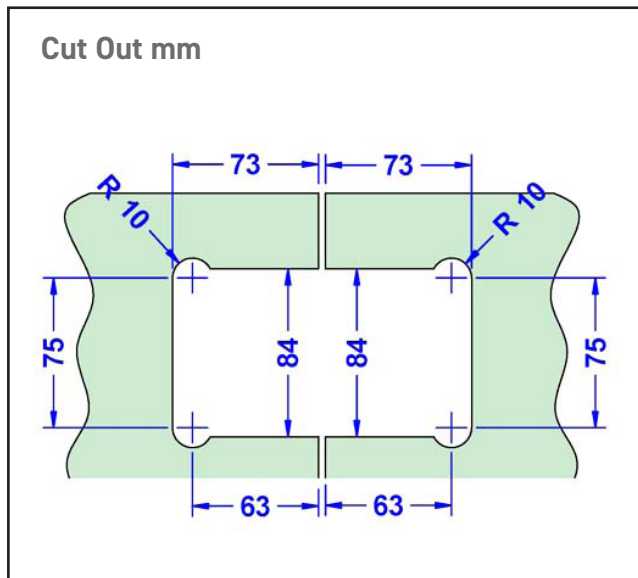


# 570.0826.39

Hydraulic Hinge - Hold Open - Glass to Glass



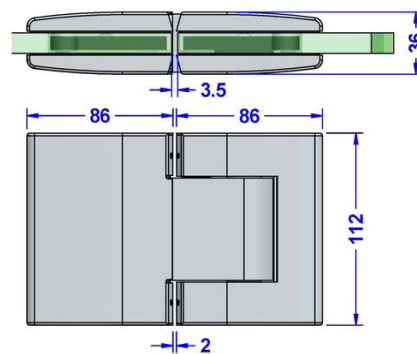
## Product Specification

- Glass to Glass mounted
- Pass 500,000 cycles in-house durability test
- Adjustable closing speed
- Self-closing hinge with genuine hydraulic bumper

- Easy and effective adjustment  $\pm 10^\circ$
- 85-90° Hold open
- Self closing at 80  $\pm 5$  degree, and door closing precisely at 0°

## Specification

Finish	Black
Glass Thickness	8-12mm
Max Door Width	1000mm
Max Door Weight	100kg
Opening Angle	85-90 degrees
Hold Open	Yes
Self Close	Yes
Sold as	Pair



For more information please contact

01451 824110 | sales@wellinguk.com | www.wellinguk.com

Welling Ironmongery Ltd, Unit R1, Bourton Industrial Park, Bourton on the Water GL54 2HQ