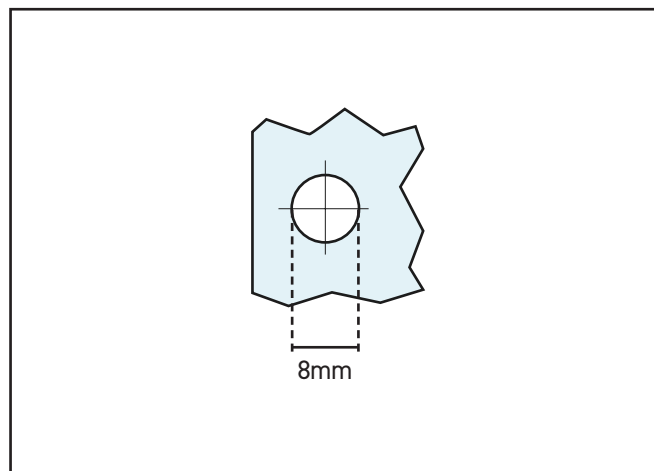


# 120.0408.76

Knobset for Glass Shower Doors – 8-12mm Glass



## Specification

Finish	Satin Brass
Glass Thickness	8-12mm
Hole Size	8mm

For more information please contact

01451 824110 | [sales@wellinguk.com](mailto:sales@wellinguk.com) | [www.wellinguk.com](http://www.wellinguk.com)

Welling Ironmongery Ltd, Unit R1, Bourton Industrial Park, Bourton on the Water GL54 2HQ