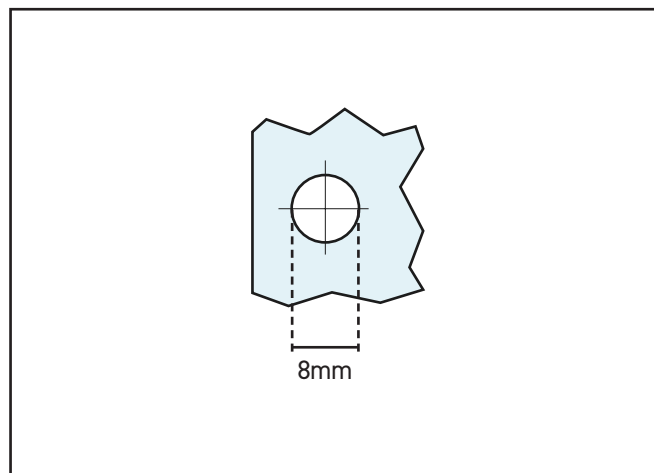


120.0408.05

Knobset for Glass Shower Doors – 8-12mm Glass



Specification

| | |
|-----------------|--------------|
| Finish | Satin Chrome |
| Glass Thickness | 8-12mm |
| Hole Size | 8mm |
| | |
| | |

For more information please contact

01451 824110 | sales@wellinguk.com | www.wellinguk.com

Welling Ironmongery Ltd, Unit R1, Bourton Industrial Park, Bourton on the Water GL54 2HQ