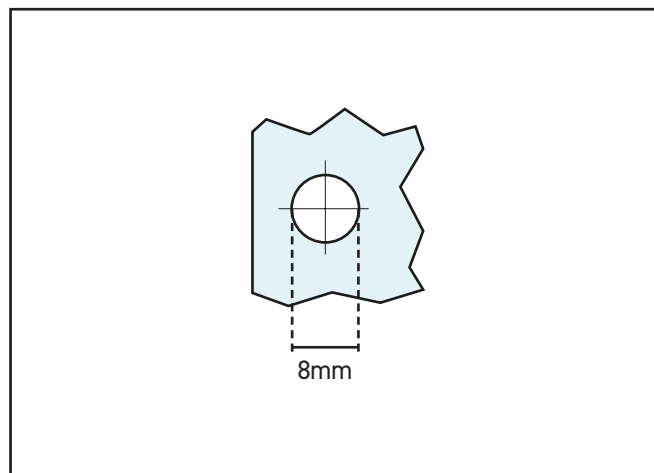


120.0408.04

Knobset for Glass Shower Doors – 8-12mm Glass



Specification

Finish	Polished Chrome
Glass Thickness	8-12mm
Hole Size	8mm

For more information please contact

01451 824110 | sales@wellinguk.com | www.wellinguk.com

Welling Ironmongery Ltd, Unit R1, Bourton Industrial Park, Bourton on the Water GL54 2HQ