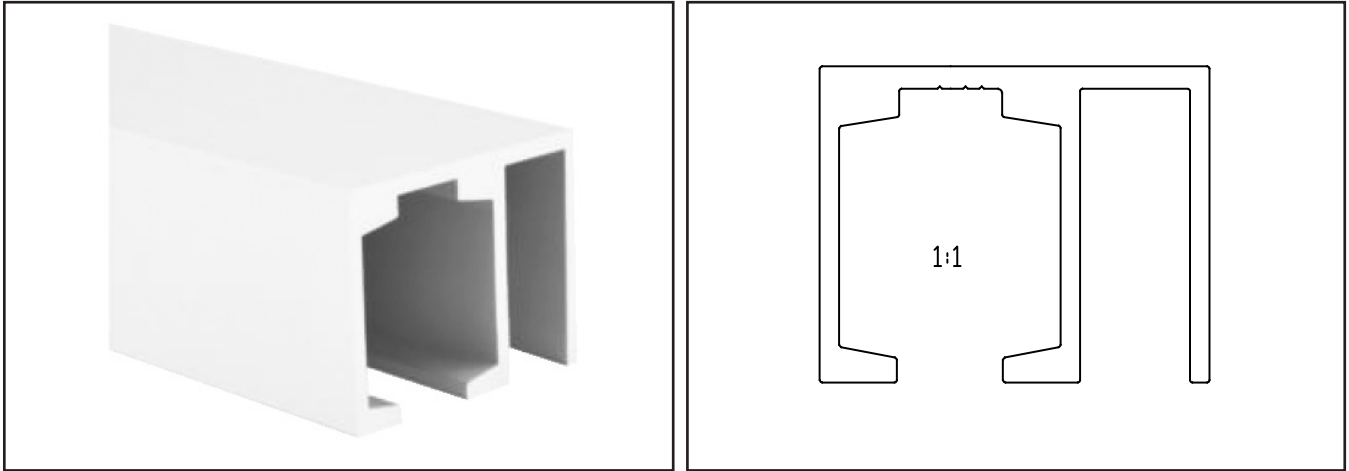


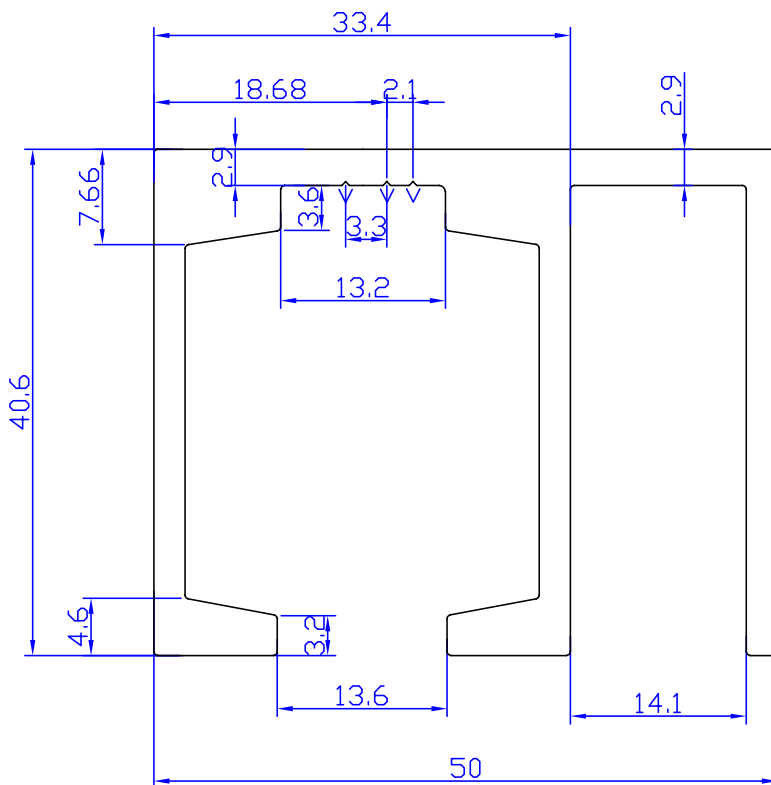
570.0370.72

TG sliding door kit track with side chanel for glass fixed panel



Specification

Finish	White
Length	4 Meters
Type	TG sliding door kit track with side chanel t/s glass fixed panel



For more information please contact

01451 824110 | sales@wellinguk.com | www.wellinguk.com

Welling Ironmongery Ltd, Unit R1, Bourton Industrial Park, Bourton on the Water GL54 2HQ