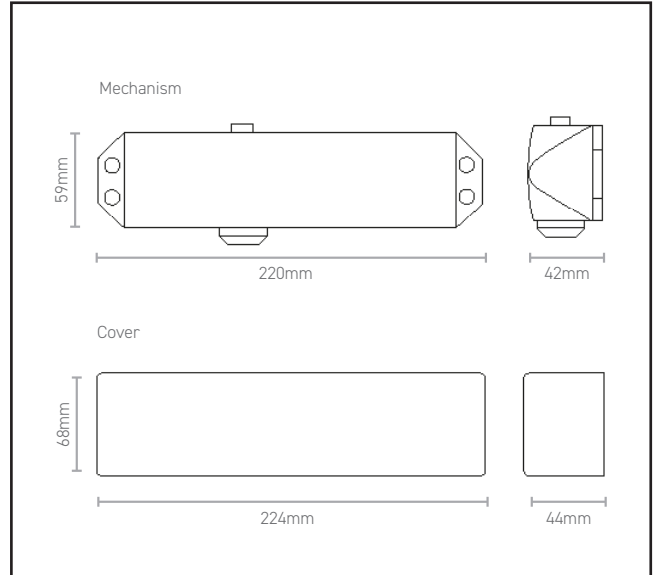


500.1095.76

1095 EN3-4 Overhead Door Closer



Product Specification

Slim 'softline' cover and matching armset
Figure 66' bracket included for parallel arm fitting
All fixings included for installation

Suitable for 30minute and 60minute fire doors
Full fitting instructions included with each unit

Specification

| | |
|----------------------------|-----------------|
| Brand | RUTLAND |
| Finish | Satin Brass |
| Power Size | EN3-4 |
| Max Door Width | 1100mm |
| Max Door Weight | 60kg |
| Mechanism | Rack and Pinion |
| Adjustable Latching Action | Yes |
| Adjustable Closing Speed | Yes |
| Opening Angle | 180 degrees |
| Fire Rated | FD30/FD60 |
| Fire Tested | BS EN 1634 |
| Performance Tested | BS EN 1154 |

Our most popular medium-duty door closer, suitable for general commercial applications, apartment entrance doors, office interiors, factory partitioning etc

For more information please contact

01451 824110 | sales@wellinguk.com | www.wellinguk.com

Welling Ironmongery Ltd, Unit R1, Bourton Industrial Park, Bourton on the Water GL54 2HQ