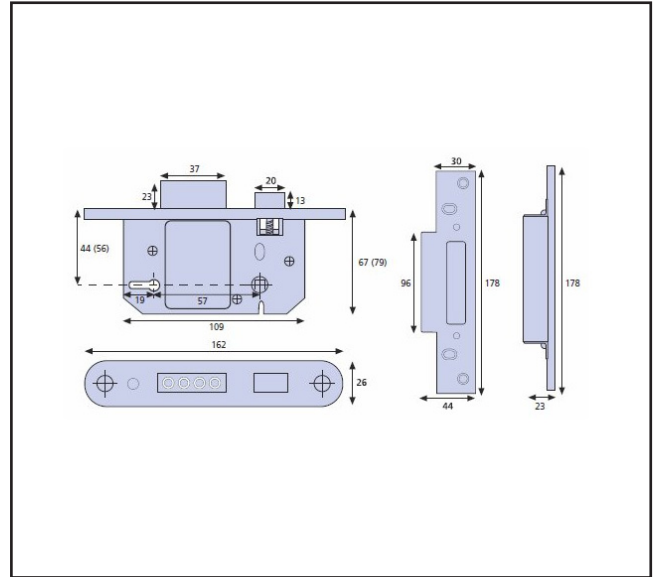
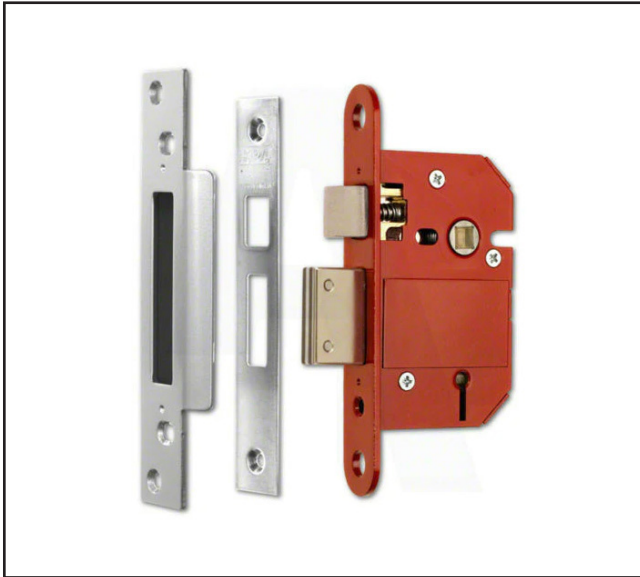


640.0262.01

ERA Fortress 5 Lever Sashlock- 64mm



Product Specification

Conforms to the BS 3621:2007; meets the exacting demands of insurance companies and the Police
20mm bolt throw for additional strength and security. Designed with hardened steel plates to resist drilling and two hardened steel plates in the deadbolt to resist hacksawing. Reversible latch bolt to enable both left and right handed operation
1000 Key Variations for added security

Specification

Brand	ERA
Finish	Satin Stainless Steel
Type	Sashlock
Lock Mechanism	5 Lever
Key Variations	1,000
Backset	44mm
Case Depth	64mm
Case Height	109mm
Centres	57mm

For more information please contact

01451 824110 | sales@wellinguk.com | www.wellinguk.com

Welling Ironmongery Ltd, Unit R1, Bourton Industrial Park, Bourton on the Water GL54 2HQ