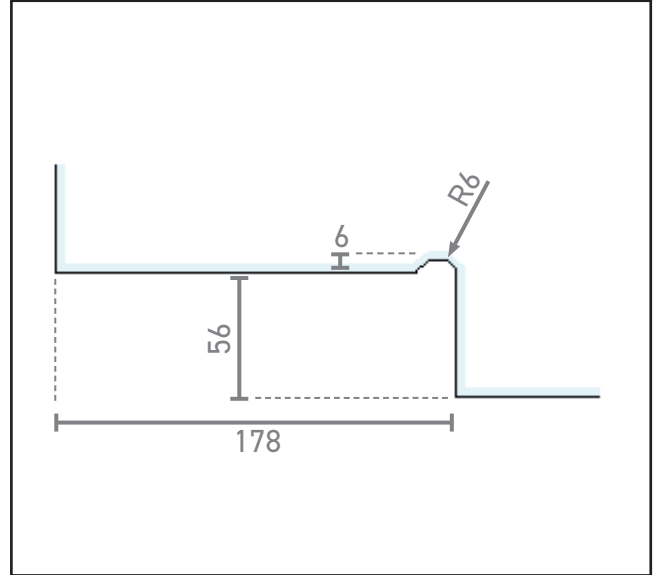


570.5045.01

Hydraulic Bottom patch fitting Non Hold Open

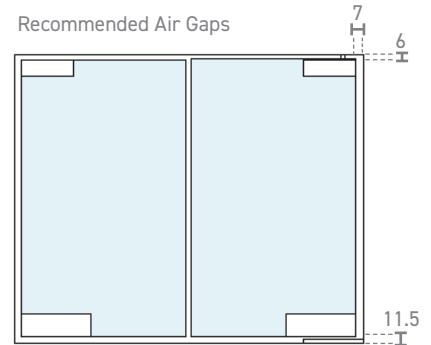


Product Specification

Hydraulic Bottom Patch fitting only

Non Hold Open

Recommended Air Gaps



Specification

Finish	Satin Stainless Steel
Handed	No
Glass Thickness	10-12mm
Max Door Height	2500mm (12mm Glass)
Max Door Width	1000mm
Max Door Weight	100kg
Hold Open	No
Sold as	Each

For more information please contact

01451 824110 | sales@wellinguk.com | www.wellinguk.com

Welling Ironmongery Ltd, Unit R1, Bourton Industrial Park, Bourton on the Water GL54 2HQ