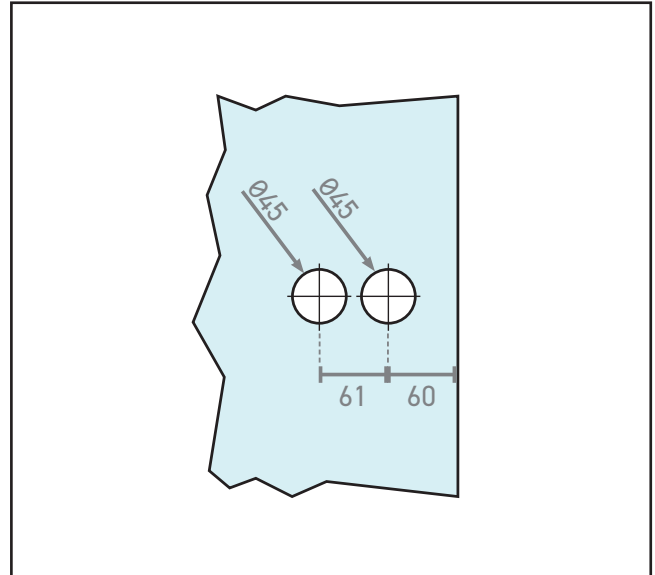
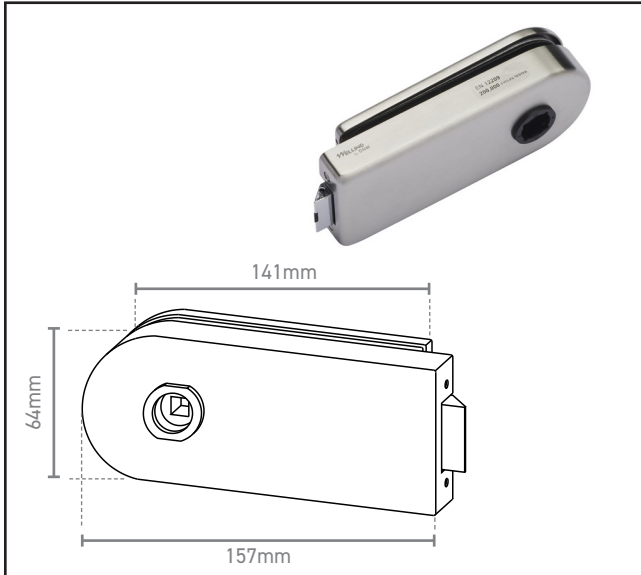


570.0066.01

Horizontal Patch Lever Latch



Product Specification

Identical cutout requirements to the Studio Rondo lockset

Specification

Finish	Satin Stainless Steel
Glass Thickness	8-12mm
Levers Included	No - see code 570.7740.01
Cylinder Included	No
Tested	EN12209
Cylce Tested	200,000 cycles

For more information please contact

01451 824110 | sales@wellinguk.com | www.wellinguk.com

Welling Ironmongery Ltd, Unit R1, Bourton Industrial Park, Bourton on the Water GL54 2HQ