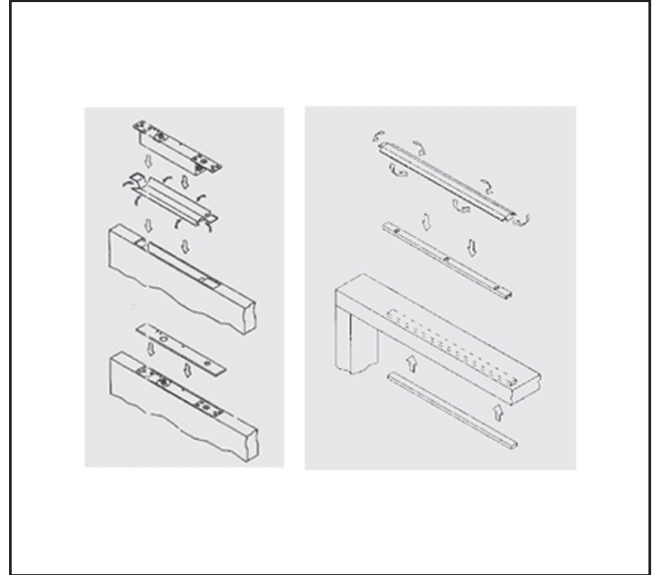
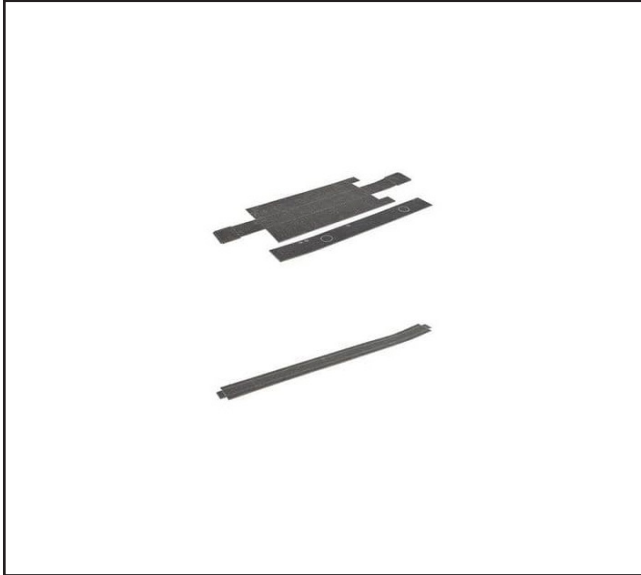


520.1037.18

Geze Boxer Fire pack



Product Specification

For fire door applications:- GEZE intumescent packs must be used in accordance with the Certifire certificate CF 242.
Intumescent fire pack to suit EN 2-4 mechanism

Specification

| | |
|--------|-------|
| Colour | Black |
| | |
| | |
| | |
| | |
| | |
| | |
| | |

For more information please contact

01451 824110 | sales@wellinguk.com | www.wellinguk.com

Welling Ironmongery Ltd, Unit R1, Bourton Industrial Park, Bourton on the Water GL54 2HQ