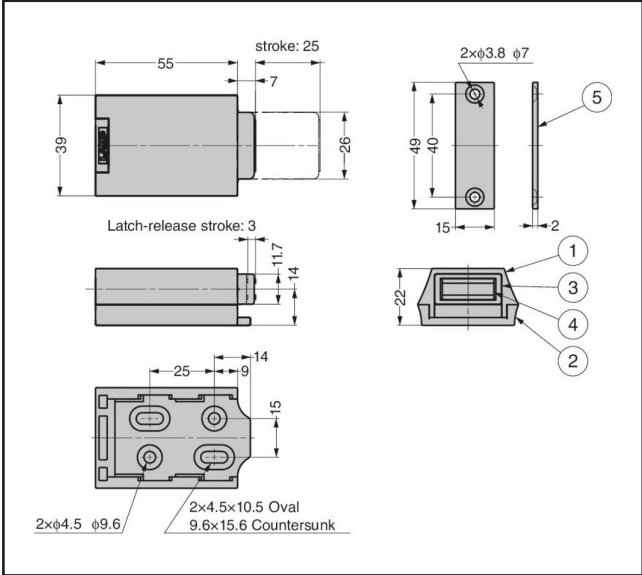


300.1400.39

METAL MAGNETIC TOUCH LATCH - Heavy Duty



Product Specification

The body is made of metal for high durability.
 Designed for use on large doors due to its strong push force.
 The plastic part is flame resistant and compliant with the UL94V-0 standard.
 The magnet part has an allowance of 1.5° on each side to catch the strike plate correctly.
 This helps the magnet to adjust even if there is a slight misalignment.
 Walk-in closets, concealed doors.

Specification

Finish	Black
Magnetic Force	29.4N / 3kgf
Max Door Height	2440mm
Max Door Width	915mm
Max Door Weight	120kg