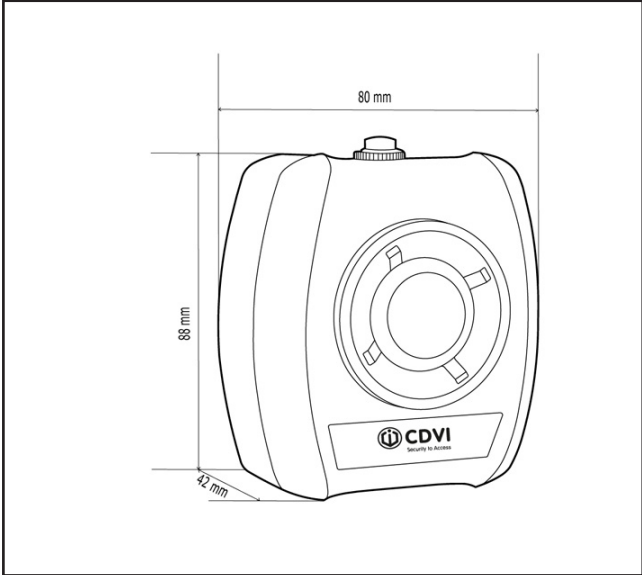


540.4000.37

CDVI VIR-A5 Wall-Mounted Magnetic Door Holder



Making Ironmongery Easy



Product Specification

This magnetic door holder keeps doors in the open position and in the event of a fire alarm, immediately releases the door to close. The VIR-P5 is wall-mounted and operates at 24Vdc, to match most fire alarm systems. The 50kg holding force provided by the magnet is sufficient to hold even the heaviest of doors, and is tested under the EN1634-2 fire rating for 60 minutes. Each unit includes a test button to quickly and easily check the emergency operation of the fail safe magnet.

Specification

Brand	CDVI
Finish	White
Power	24v DC
Type	Wall Mounted
Holding force	50kg
Fire Tested	BS EN 1634
Fire Rated	FD60

For more information please contact

01451 824110 | sales@wellinguk.com | www.wellinguk.com

Welling Ironmongery Ltd, Unit R1, Bourton Industrial Park, Bourton on the Water GL54 2HQ