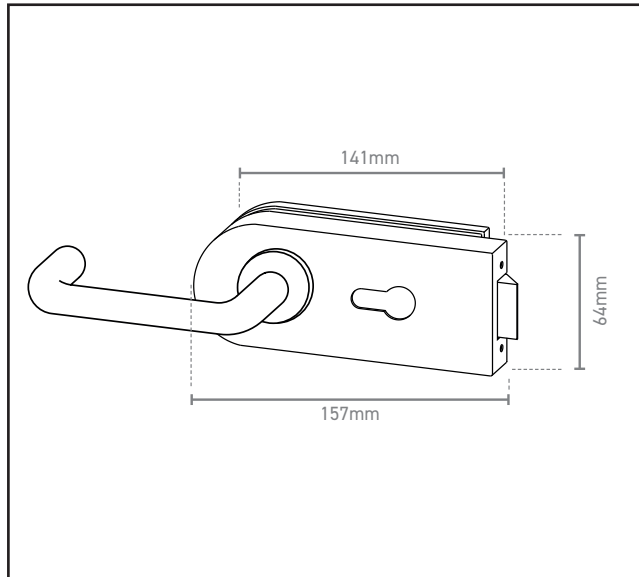
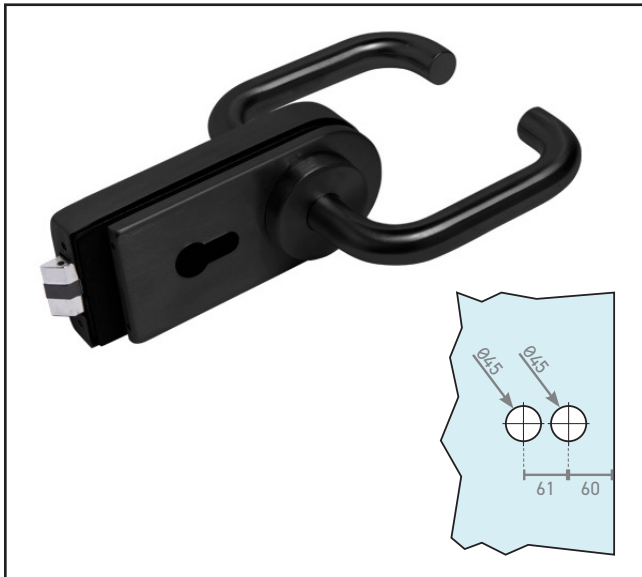


# 570.9300.39

Glass Patch Lock & Lever Handle to Suit Electronic Strike



## Includes:

- Euro profile patch lock & latch
- Euro cover plates
- Latch only cover plates
- RTD Lever handle on rose

**NOT** Included Euro Cylinder

## Specification

Finish	Black
Glass Thickness	10-12mm
Levers Included	Yes
Cylinder Included	No
Rose Included	Yes
Sold as	Set

**For use with electronic strike plate where lever handle operation is only needed one side.**

Cut spindle down to appropriate length, so it only engages with lever handle on the side required. Then grub screw the spindle into position to ensure the spindle stays secure. Lever handle on other side is fixed by the back to back fixings supplied, but the spindle doesn't connect with this handle, rendering the external side lever handle inactive in retracting the latch mechanism.

Ideal for applications where the outside is accessible by activation of the electronic strike (by a suitable proximity reader) and the lever handle is 'dummy' and inside the handle retracts the latch for exit without any fob needed. Either fit with latch cover plates (if secondary entry option via Euro Cylinder from external side isn't needed) or with Euro cover plates if you want to retain the option of entrance from outside using the cylinder & respective key

For more information please contact

01451 824110 | sales@wellinguk.com | www.wellinguk.com

Welling Ironmongery Ltd, Unit R1, Bourton Industrial Park, Bourton on the Water GL54 2HQ