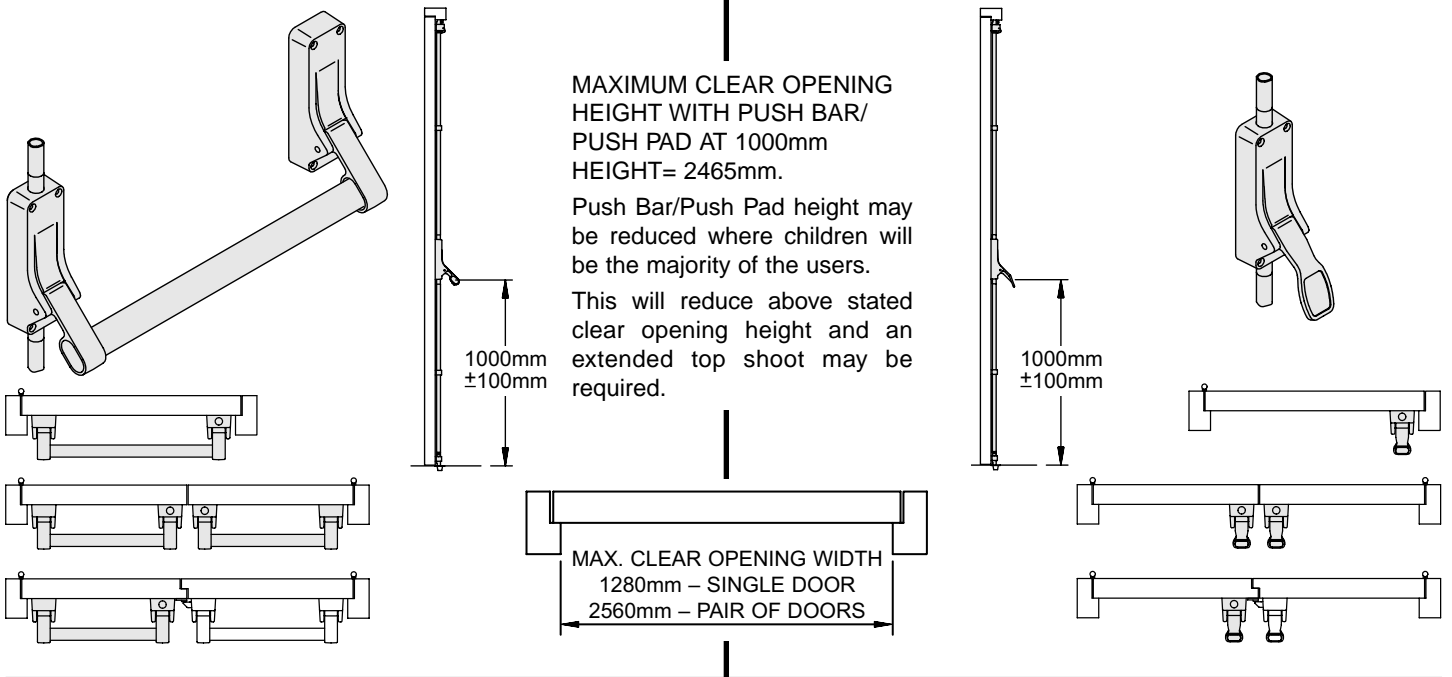


# INSTALLATION INSTRUCTIONS

0376/328/00  
ISSUE 04

## PUSH BAR PANIC BOLT DEVICE TO EN 1125

## EMERGENCY PUSH PAD BOLT DEVICE TO EN 179



TO COMPLY WITH THE ABOVE STANDARDS, DOOR LEAF MUST NOT EXCEED 2500mm HIGH X 1300mm WIDE X 200KG WEIGHT MAX.

**IMPORTANT: THE SAFETY FEATURES OF THESE PRODUCTS ARE ESSENTIAL TO THEIR COMPLIANCE WITH THE ABOVE STANDARDS. NO MODIFICATIONS OF ANY KIND, OTHER THAN THOSE DESCRIBED IN THESE INSTRUCTIONS ARE PERMITTED.**

**BEFORE INSTALLATION ENSURE DOOR AND FRAME ARE IN GOOD CONDITION, CORRECTLY HUNG AND NOT DISTORTED.**

**NOTE:** These devices are self handing and will suit either Right or Left hand doors without alteration.

## INSTALLATION

- 1) Fix Bolt Box to door for required Push Bar/Push Pad height, and at a distance from frame or leading edge of door according to application.

### See Diagram 1

**NOTE A:** If installing an Outside Access Device mark and prepare door and fix as per separate instructions provided.

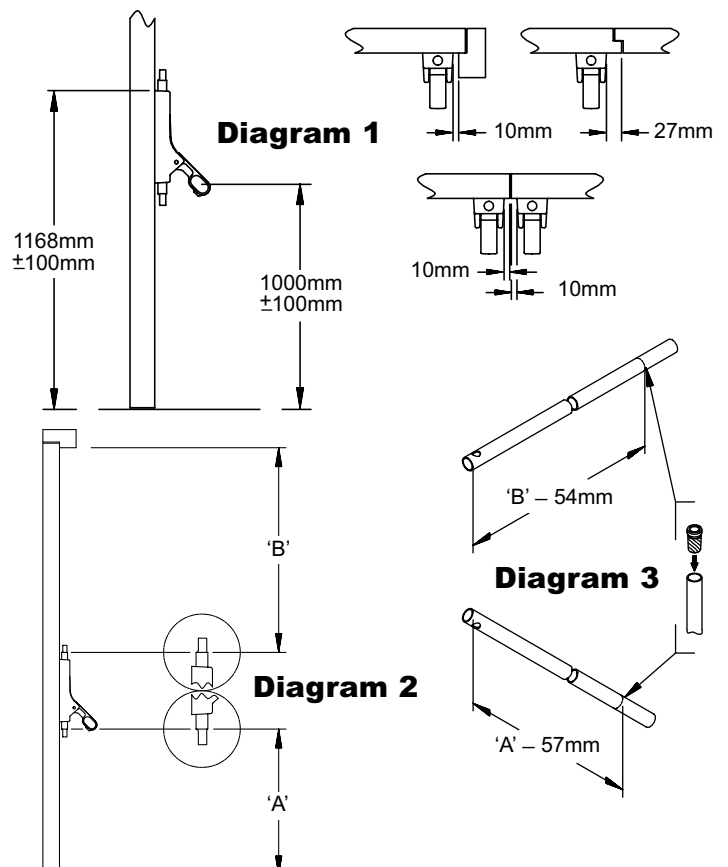
**NOTE B:** Where the device is fitted to a double doorset with rebated meeting stiles, a co-ordinator should be fitted to ensure correct closing sequence. In such case relevant detail in DIAGRAM 1 may vary. Refer to instruction provided with co-ordinator.

- 2) Accurately measure dimensions 'A' & 'B', deduct the amounts shown and cut Top and Bottom Shoots to length.

### See Diagram 2

- 3) Drive Knurled Shoot Plugs into cut ends of Shoots. Support uncut end of Shoots on block of wood to prevent damage.

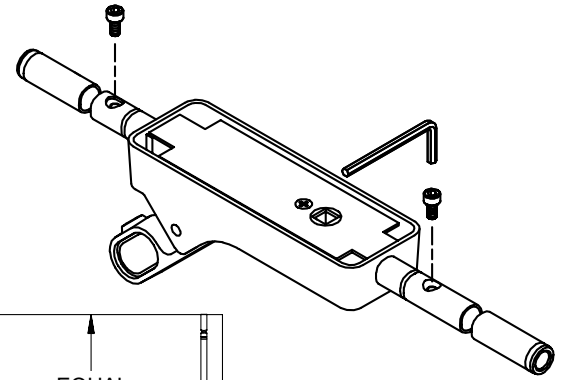
### See Diagram 3



- 4) Remove Bolt Box from door, connect Top and Bottom Shoots and secure with Socket Cap Screws provided.

**NOTE:** For security purposes the Socket Cap Screws must be inserted from rear face.

**See Diagram 4**

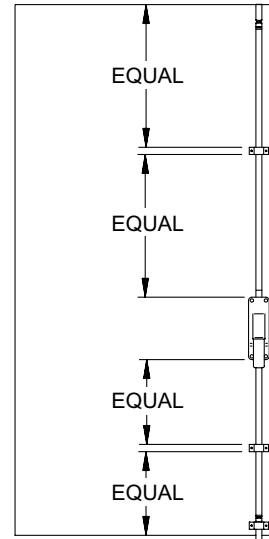


**Diagram 4**

- 5) Slide three Shoot Guides on to Shoots. Screw Square Shoot End Plugs into Knurled Shoot Plugs of Top and Bottom Shoots. Fit assembled Bolt to door ensuring true vertical alignment of Shoots and Shoot Guides.

**NOTE:** Do not secure bottom Shoot Guide until step 8.

**See Diagram 5**

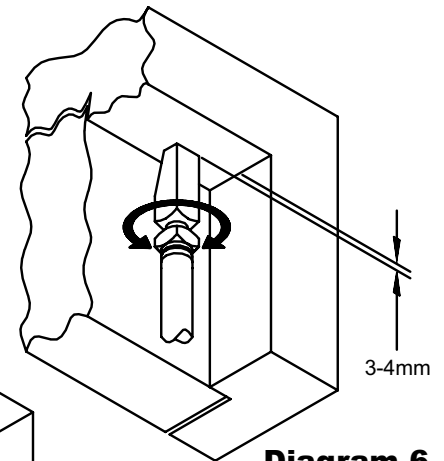


**Diagram 5**

- 6) Fully depress Push Bar Lever or Push Pad and adjust Square Top Shoot End Plug to give 3-4mm clearance to underside face of soffit.

Ensure that tapered flat faces the door.

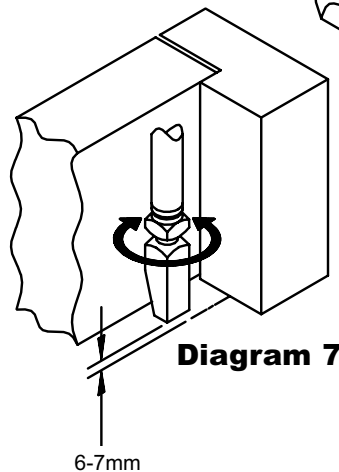
**See Diagram 6**



**Diagram 6**

- 7) Likewise adjust Square Bottom Shoot End Plug to give 6-7mm clearance to finished floor level.

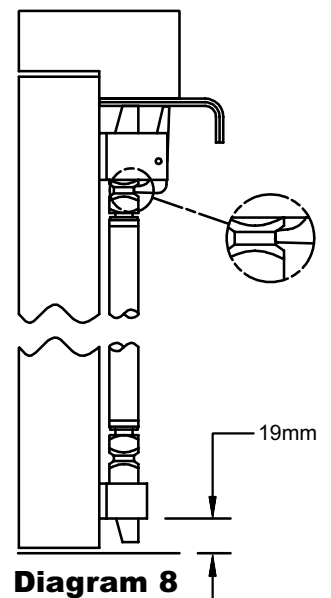
**See Diagram 7**



**Diagram 7**

- 8) Position and secure bottom Shoot Guide. Locate Top Tripper on Square Top Shoot End Plug, depress Push Bar Lever or Push Pad and insert 3-4mm packer (i.e. Allen Key) to retain Shoots. Engage Trip Lever in groove and push Top Tripper upwards to limit of groove and secure to door.

**See Diagram 8**



**Diagram 8**

- 9) Prepare head and threshold for respective keepers.  
Ensure that back edges of Top and Bottom Keepers are in line with rebate stop.

**See Diagram 9 & 10**

- 10) Pull door into closed position and ensure:
- that Top Tripper releases against Keeper Plate.
  - that both Shoots throw fully and enter their respective Keepers correctly.

- 11) Depress Push Bar Lever or Push Pad and ensure:
- that both Shoots withdraw fully from their keepers.
  - that Top Tripper engages and retains Shoots in withdrawn condition.
  - that Shoots do not foul floor or head. Re-adjust if necessary.

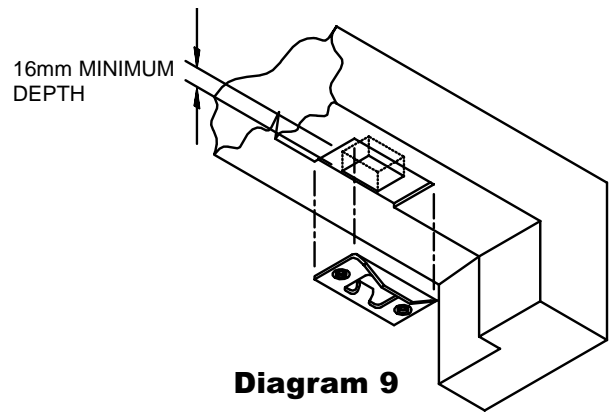
**INSTALLATION OF PUSH PAD DEVICE IS NOW COMPLETE. CONTINUE FOR PUSH BAR DEVICE.**

- 12) Fit End Box on hanging stile of door ensuring that it is vertical and level with Bolt Box.

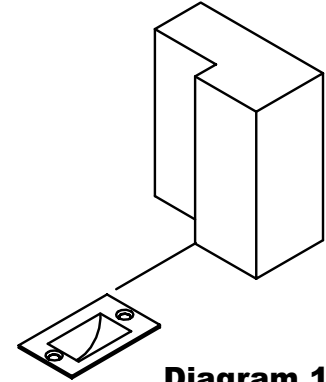
**See Diagram 11**

- 13) Accurately measure distance 'C' across Push Bar Levers, deduct the amount shown, and cut Push Bar to length.

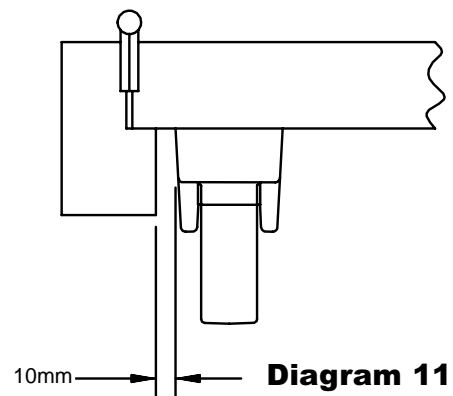
**See Diagram 12**



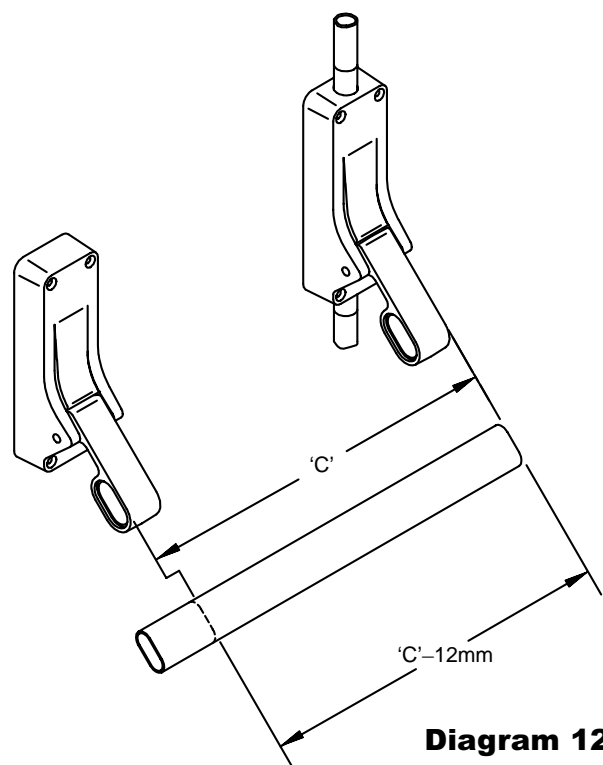
**Diagram 9**



**Diagram 10**



**Diagram 11**



**Diagram 12**

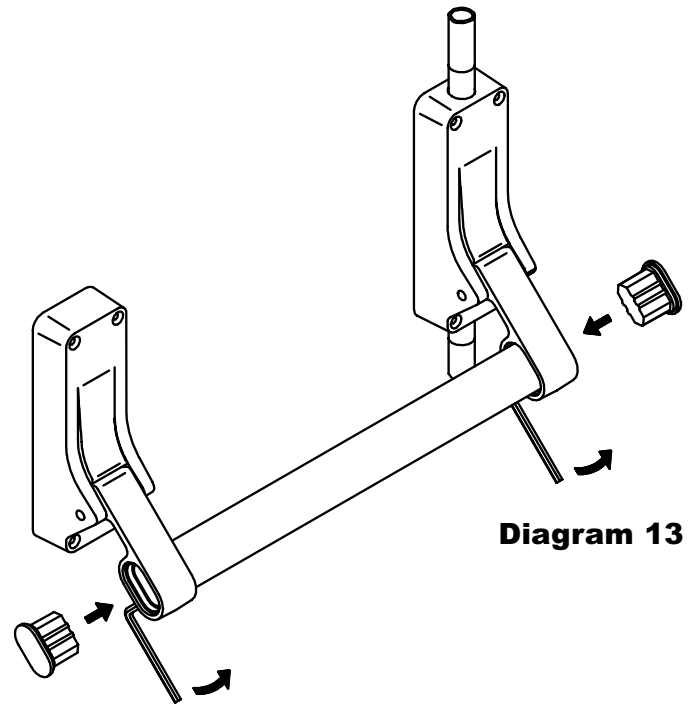
- 14) Insert Push Bar into Levers, insert Plug into each end of Push Bar and flush with face of Levers. Secure Push Bar by tightening Clamp Screws on underside of Levers with Allen Key provided.

**NOTE:** These screws must be sufficiently tightened to give adequate rigidity of Push Bar.

**See Diagram 13**

- 15) Again test for correct operation as described in items 10 and 11.

- 16) Adhere green 'Push Bar to Open' sign immediately above the Push Bar.



## OPERATIONAL INSTRUCTIONS

- For device arrangements fitted to comply with EN 1125 no instruction of operation is needed for the end users as the device is easily operated by hand or body pressure in a panic situation.
- For device arrangements fitted to comply with EN 179 it is recommended that the end users be instructed to operate the Push Pad devices using flat **palm** of the hand.

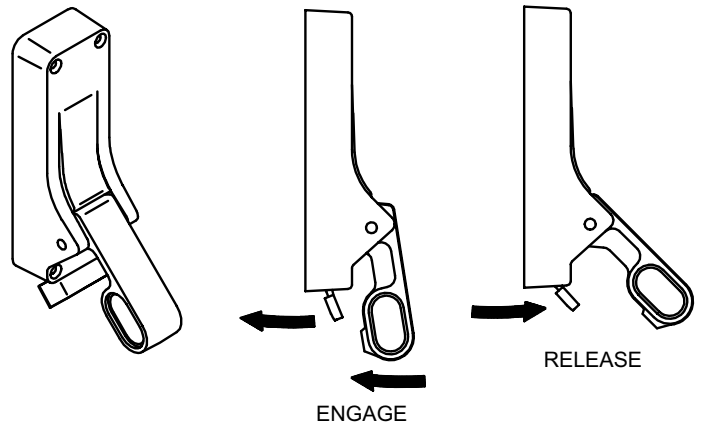
## DOGGING DEVICE

Where provided, this device is incorporated in the End Box of Push Bar devices and enables the Shoots to be held in the withdrawn condition, allowing the door to be used as free-access when required. Installation is described in item 12.

**To engage:** depress Push Bar and push Dogging Lever towards door face.

**To release:** Pull Dogging Lever away from door face

**WARNING:** THIS DEVICE MUST NOT BE USED ON FIRE/SMOKE DOORS.



## MAINTENANCE

It is recommended that the following routine inspections should be undertaken at intervals of not more than one month by the occupier or his approved representative.

- Inspect and operate the device to ensure that all components are in satisfactory working condition. Lubricate if required.
- Ensure that the keepers are clean and free from obstruction.
- Check that all fixing screws are tight.

These instructions must be passed by the installer to the user on completion.