

## Emergency Exit Hardware

### Introduction

Products conforming to EN 179 are only intended for use by personnel who are fully aware of escape routes and have been trained to operate these devices. The Briton 1438 push pad emergency exit device with single point rim latch is suitable for single doors up to 1300mm wide making them an ideal solution for offices, factories and flats.

### Features & Functions

- Push pad operated rim latch.
- Products designed to satisfy emergency exit applications.
- Tested in excess of 200,000 cycles.
- Suitable for single doors and rebated double doors in combination with Briton 372 vertical bolt device.
- Handing reversible on-site.
- Durable aluminium die cast body.
- All versions supplied complete with fixings, installation instructions and self adhesive "Push Bar to Open" signage.
- Available in sprayed silver and plated metallic finishes.



1438.SE



### Certification

CE Marked to EN 179 (ABBO20)

Fire tested to EN 1634 for use on fire doors up to 2hr timber / 4hr steel

Certifire Approved

Environmental Product Declaration in accordance with ISO 14025 and EN 15803

DoP available at [www.britondops.co.uk](http://www.britondops.co.uk)

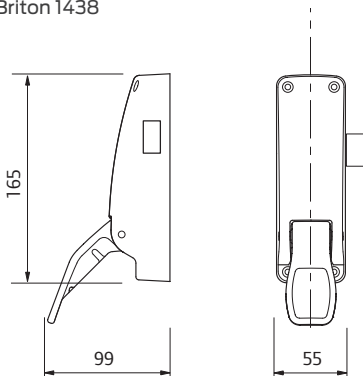
## Emergency Exit Rim Latch 1438

Product features	Product references
	<b>1438</b>
CE marked	■
Panic exit device to EN 1125	
Emergency exit device to EN 179	■
Device type	Push pad
Locking points	Single point rim latch
Suitable for single doors	■
Suitable for double door combinations	✱
Min. / Max. door width (per leaf)	n/a
Push bar cut on site	n/a
Site reversible	■
Alarm activation	
Dogged hold-open facility	
Finishes available	SE, SS*, PB*, PS*
<b>CE Classification</b>	376B1342BA

- Standard    □ Available as an option/variant
- ✱ Used in combination with Briton 372 vertical bolt device on rebated double doors where the 1438 device is fitted to the first opening leaf.

[Click for Autocad drawings](#) 

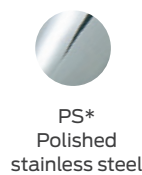
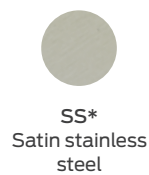
Briton 1438



All dimensions are in mm

### Finishes

Available in sprayed silver and PVD plated finishes.



\* PVD plated finishes