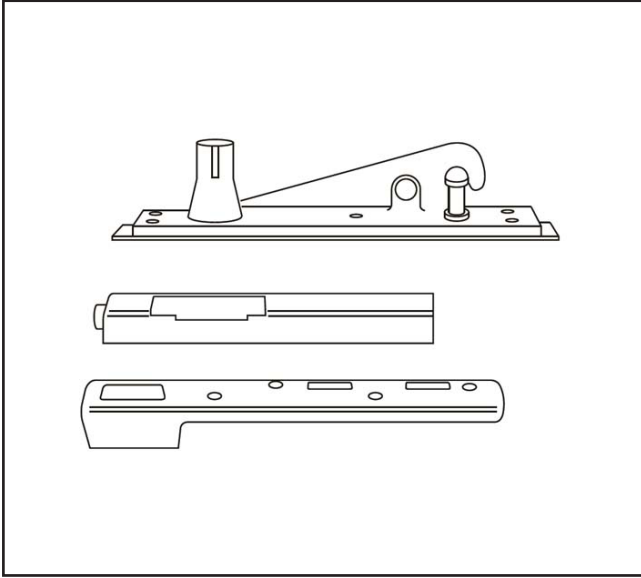


530.7104.11

Floor Spring Double Action Accessory Pack (without cover)



Product Specification

Rutland Heavy Duty Pivot Set is for large and heavy door sets. This spindle bearing which helps improve performance and also has a double lockable anti-vibration door strap. This helps to hold the door inline and maintains the fire integrity which is the length of time that it can hold out in the event of a fire.

Spindle bearing – for improved performance

Double lockable anti-vibration door strap – holding the door inline and maintaining the fire integrity

Stronger bottom strap with universal pattern slot – can be used on most manufactured spindle bearings or floor springs

Specification

Brand	Rutland
Finish	Stainless Steel
Max door weight	175kg
Action	Double Action

For more information please contact

01451 824110 | sales@wellinguk.com | www.wellinguk.com

Welling Ironmongery Ltd, Unit R1, Bourton Industrial Park, Bourton on the Water GL54 2HQ