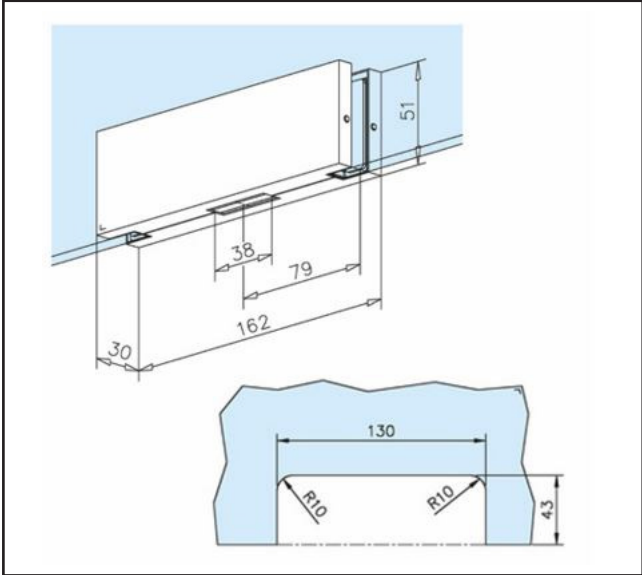


570.9002.76

Centre Patch Lock Strike Box



Making Ironmongery Easy



Product Specification

For use in glass to glass applications, with our 570.0005.76 Centre patch lock

Specification

Finish	Satin Brass
Glass Thickness	10-12mm

For more information please contact

01451 824110 | sales@wellinguk.com | www.wellinguk.com

Welling Ironmongery Ltd, Unit R1, Bourton Industrial Park, Bourton on the Water GL54 2HQ