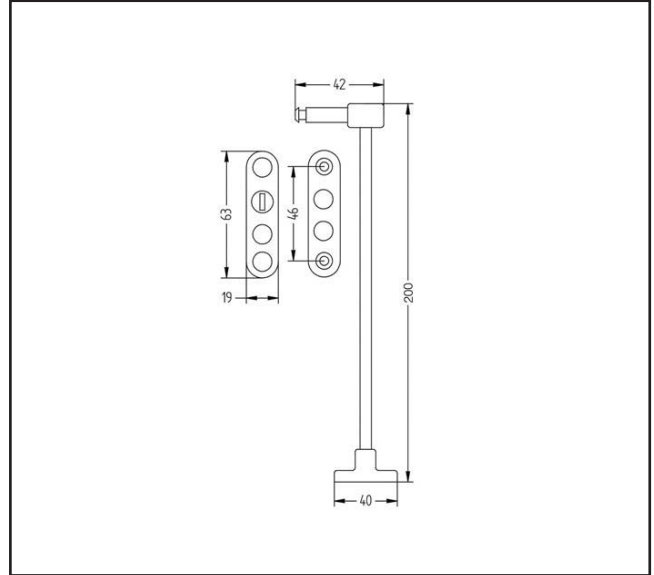
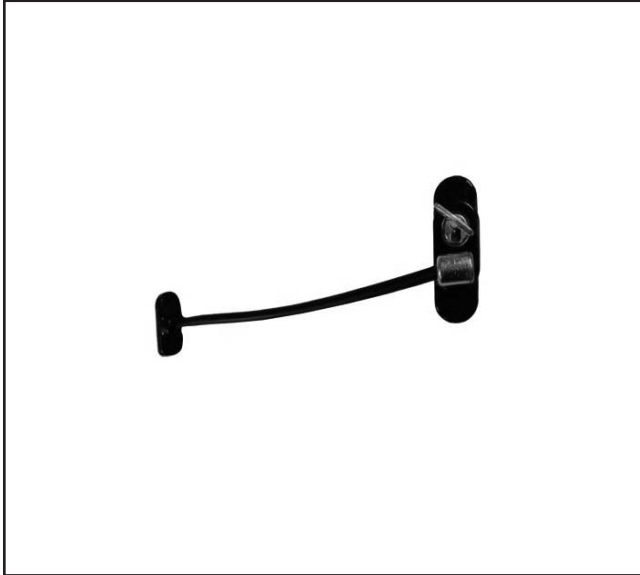


510.1200.39

Cable Window Restrictor



Product Specification

The Cable Window Restrictor is suitable for all kinds of doors & windows including uPVC, aluminium, wooden and metal profiles.

This cable window restrictor restricts the opening of a window, giving between 10 and 15cm worth of opening, depending on where the restrictor is installed on the window. This cable restrictor is particularly useful for keeping windows near young children safe, preventing accidents where the child pushes the window open and falls out.

This cable restrictor is key locking, which allows the window to be opened fully when the restrictor is unlocked, while also preventing the window restrictor from being unlocked by accident.

This is supplied in a pack with the restrictor, a cover plate, screws and fixing instructions, to make it easy to install. In addition, the screws are self-drilling, meaning they can be used directly on the window profile.

Suitable for use on aluminium, timber & uPVC windows and timber, uPVC & composite doors.

Supplied with a visible cable length of 175mm – overall length 200mm – provides a 10 to 15cm restriction. Locking – provides extra child safety and home security.

Perfect for use in homes, hotels, schools, nurseries etc.

Specification

Finish	Black
Overall Length	200mm
Length	175mm
Holding force	550kg
Key	Yes

For more information please contact

01451 824110 | sales@wellinguk.com | www.wellinguk.com

Welling Ironmongery Ltd, Unit R1, Bourton Industrial Park, Bourton on the Water GL54 2HQ