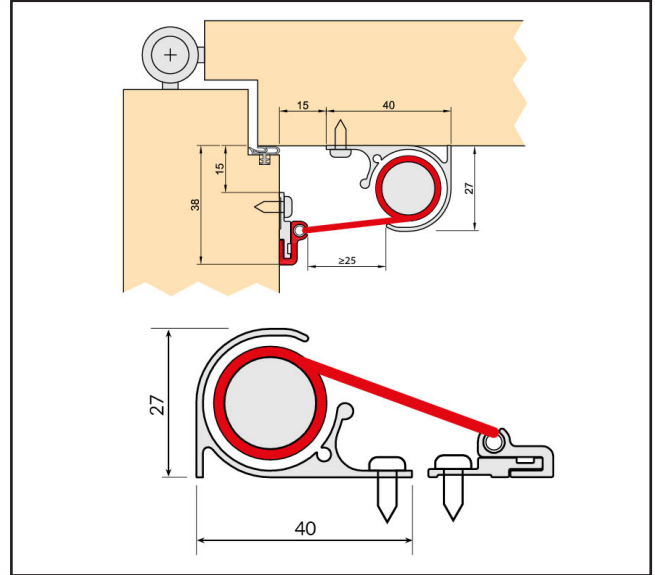


731.6000.11

Roller Finger Guard



Product Specification

Quick fit roller protector (and removal)

Hard-wearing synthetic fibre fabric – washable

Mountable and removable

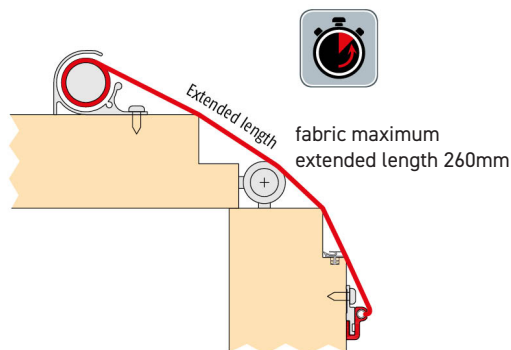
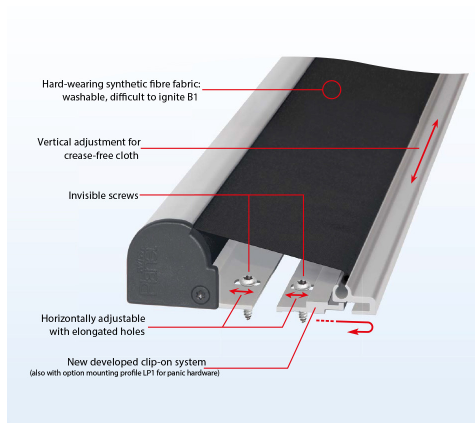
Installed without any screw heads being visible

Housing position adjustable (elongated holes)

Suitable for almost all doors

Specification

Colour	Silver Housing, Black Fabric
Standard Length	1925 mm (stock length)
Fabric Maximum Extended Length	260mm
Shorten	Cannot be shortened
Mounting set	Universal screws included
Test cycles	2'000'000



For more information please contact

01451 824110 | sales@wellinguk.com | www.wellinguk.com

Welling Ironmongery Ltd, Unit R1, Bourton Industrial Park, Bourton on the Water GL54 2HQ