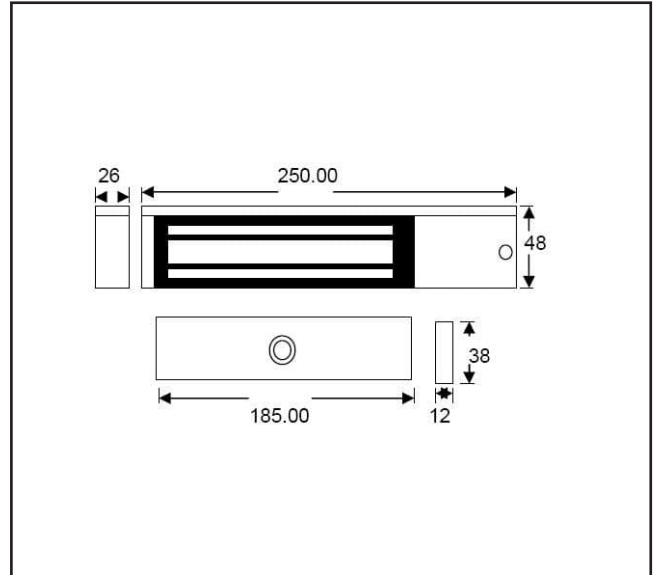


650.1000.28

SLIM MONITORED MAGLOCK 12/24VDC - EM02



Product Specification

MOV provides spike and surge protection
Fail-safe operation (power to lock)
Anti-residual magnetism protection

Top-plate, armature-plate and fixings included
Slim design
Surface mount
Lock monitoring

Specification

Brand	Specialized Security Products
Finish	Silver anodised aluminium
Power	Dual voltage 12Vdc or 24Vdc (selectable)
Holding force	up to 275kg (600lb)
Current draw	500mA @ 12Vdc / 250mA @ 24Vdc
Voltage tolerance	+/- 15%
Operating temperature	-10°C to +55°C
Humidity	0-95% non-condensating
Weight	2kg approx
Relay	COM/NO/NC (1A@24Vdc)
Indicator	Red/Green LED

For more information please contact

01451 824110 | sales@wellinguk.com | www.wellinguk.com

Welling Ironmongery Ltd, Unit R1, Bourton Industrial Park, Bourton on the Water GL54 2HQ